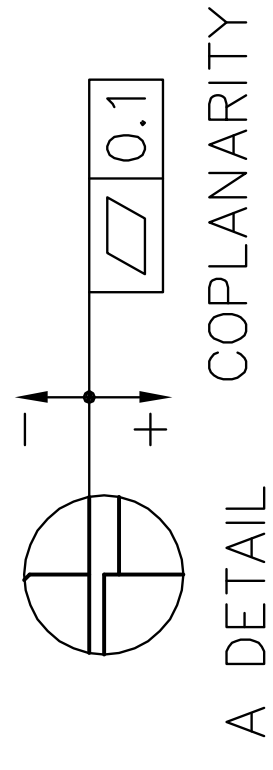
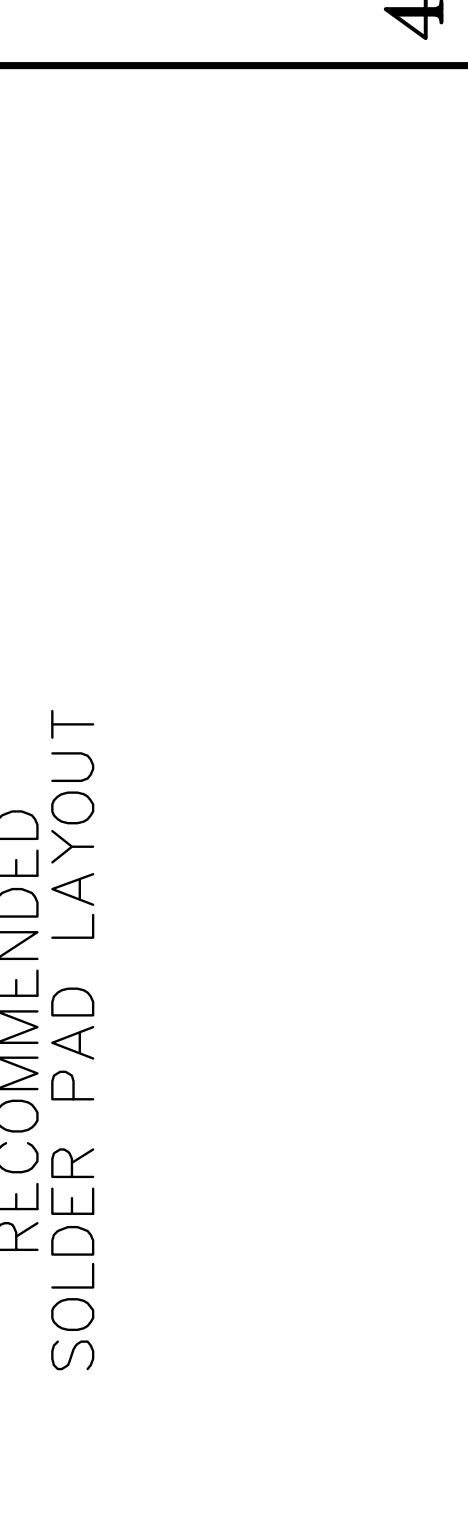
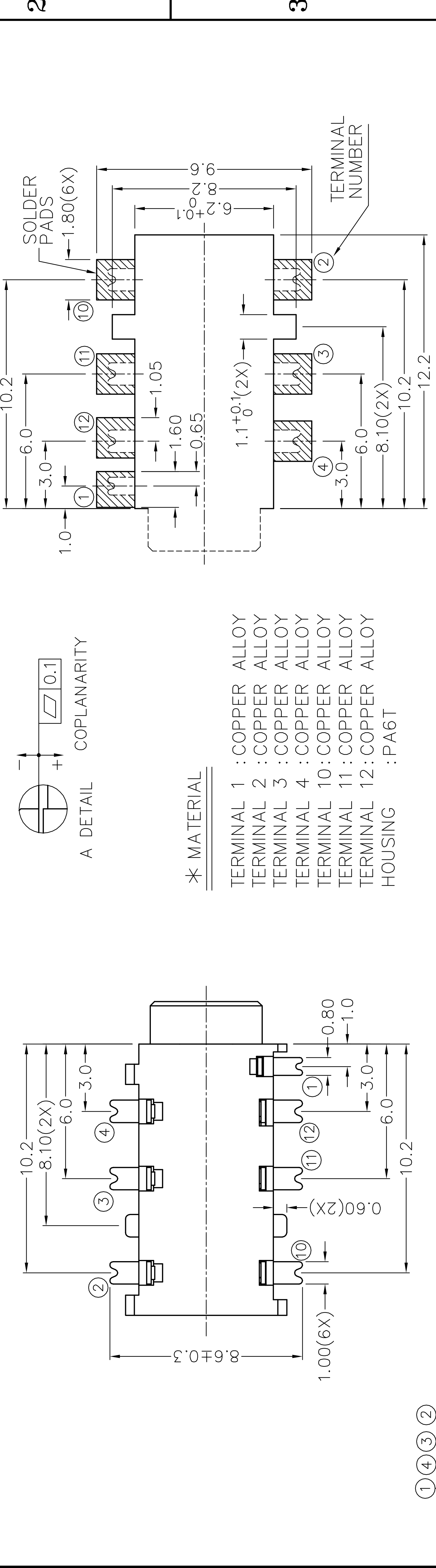
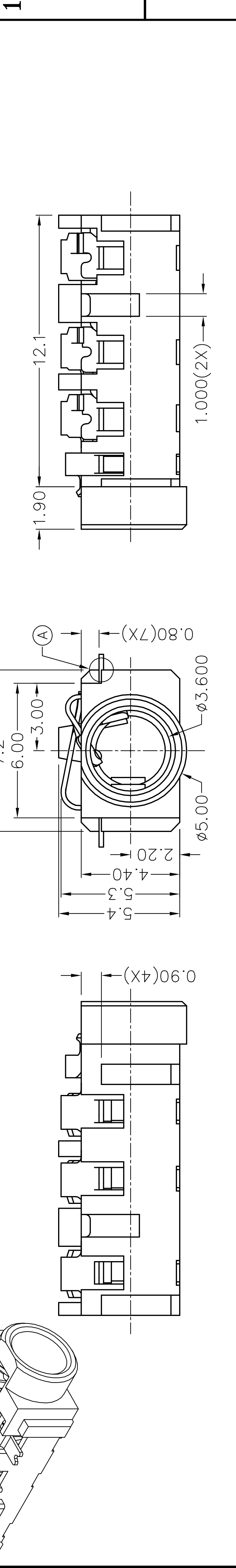


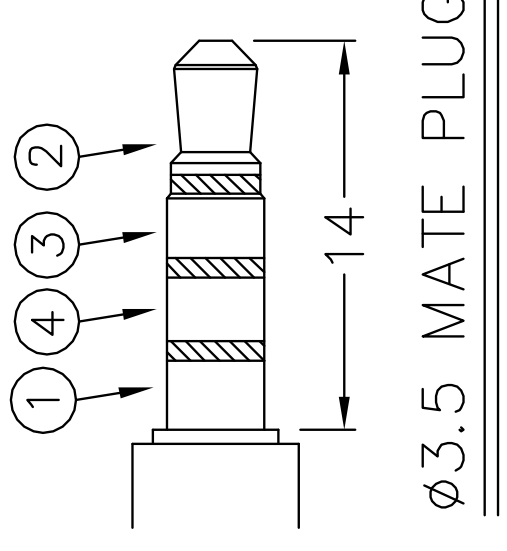
ZONE	SYMBOL	REVISION	APPROVAL	DATE
ADDED INDICATION OF COPLANARITY		J.X.KUANG	1-12-2008	

RoHS
Compliant



- * MATERIAL
- TERMINAL 1 : COPPER ALLOY
 - TERMINAL 2 : COPPER ALLOY
 - TERMINAL 3 : COPPER ALLOY
 - TERMINAL 4 : COPPER ALLOY
 - TERMINAL 10 : COPPER ALLOY
 - TERMINAL 11 : COPPER ALLOY
 - TERMINAL 12 : COPPER ALLOY
 - HOUSING : PA6T

MODEL NO.	TSH-3927D	TSH-3926AD	TSH-3925AD	TSH-3925BD	TSH-3924D
SCHEMATIC					



<p>JOYNet Enterprise Co., Ltd.</p>					DESIGN	G.P.YI	DATE	1-7-2006	SCALE	4:1
					DRAWING	T.Y.LI	DATE	1-12-2008	MATERIAL	*
PART NAME	3.5mm SMD STEREO JACK	TOLERANCE UNLESS	0.0±0.2	CHECK		DATE		DWG. NO.	TZ\SH392D-PA6T/B	
PART NO.	TSH-392D	OTHERWISE SPECIFIED:	0.00±0.1 0.00±0.05	APPROVAL		DATE		SHEET		