

F

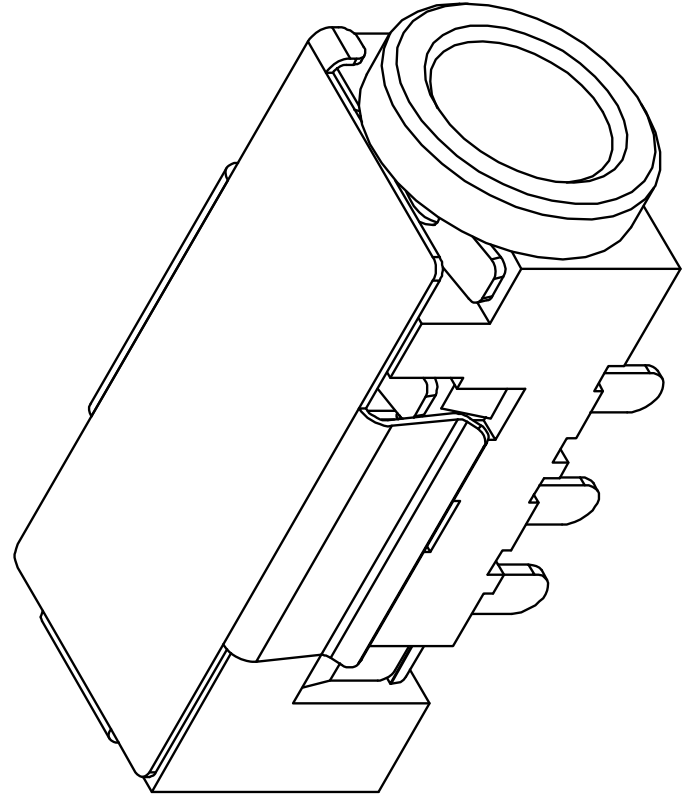
E

D

C

B

A

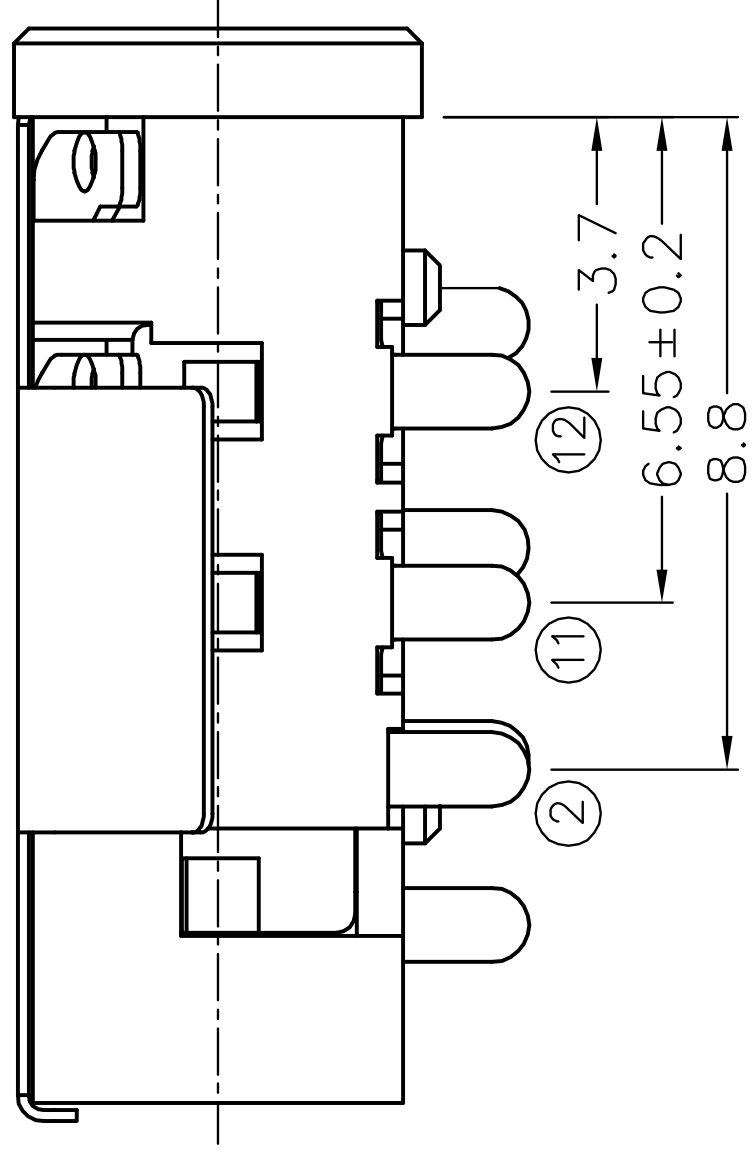


RoHS
Compliant

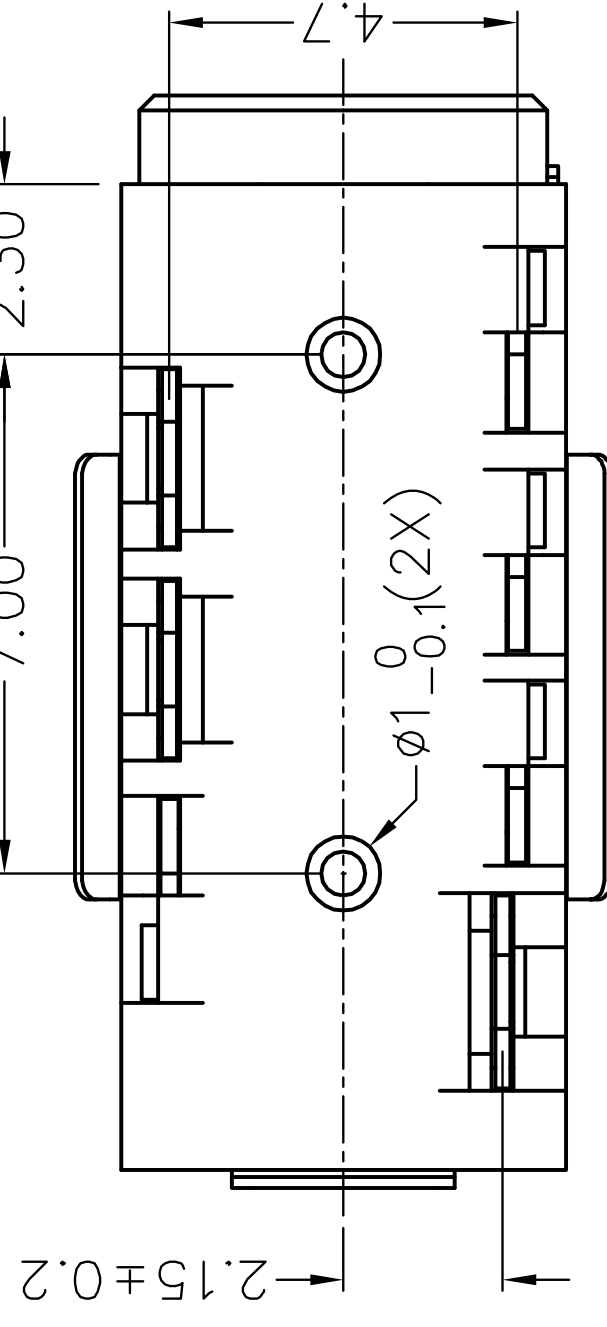
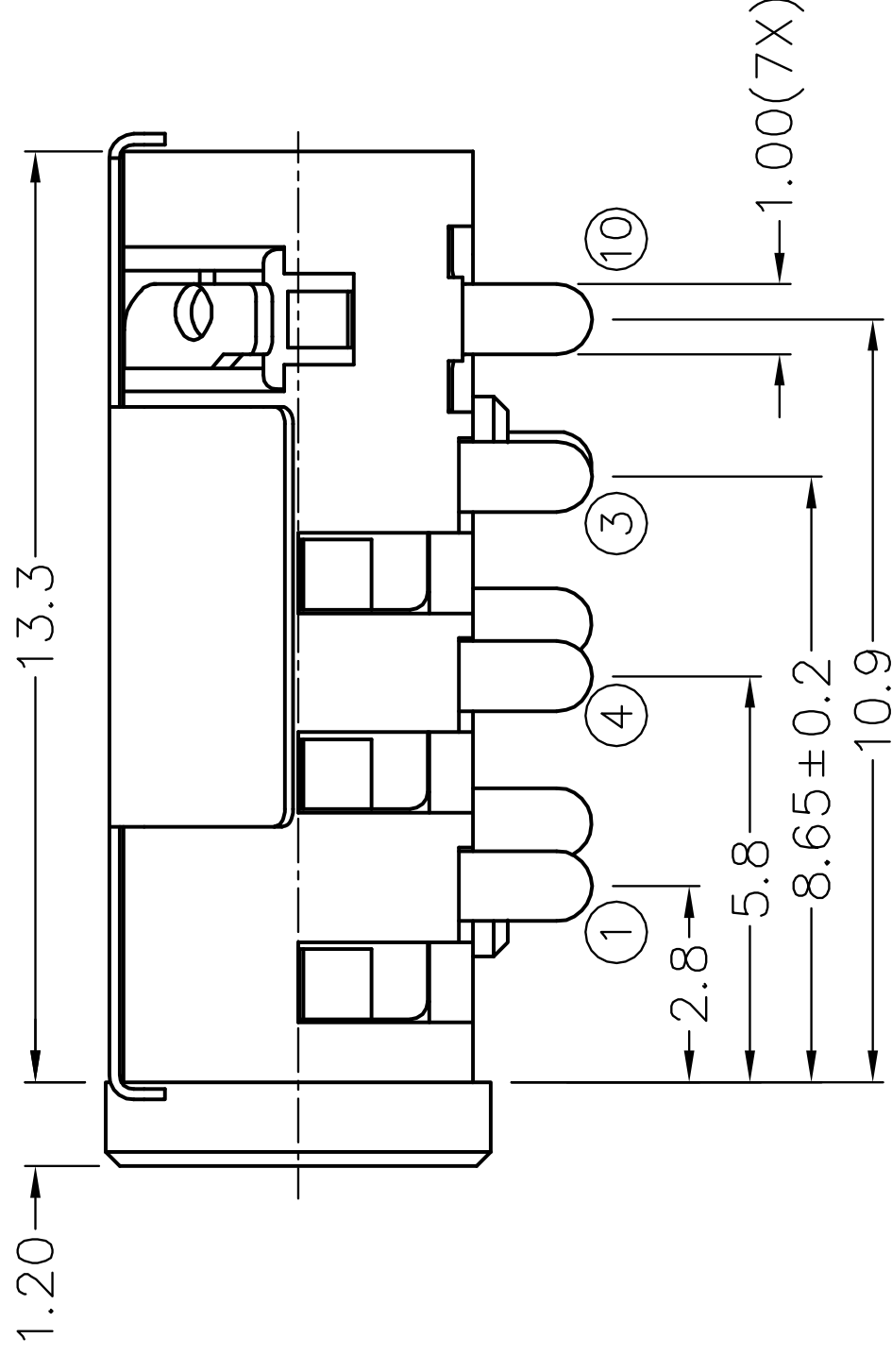
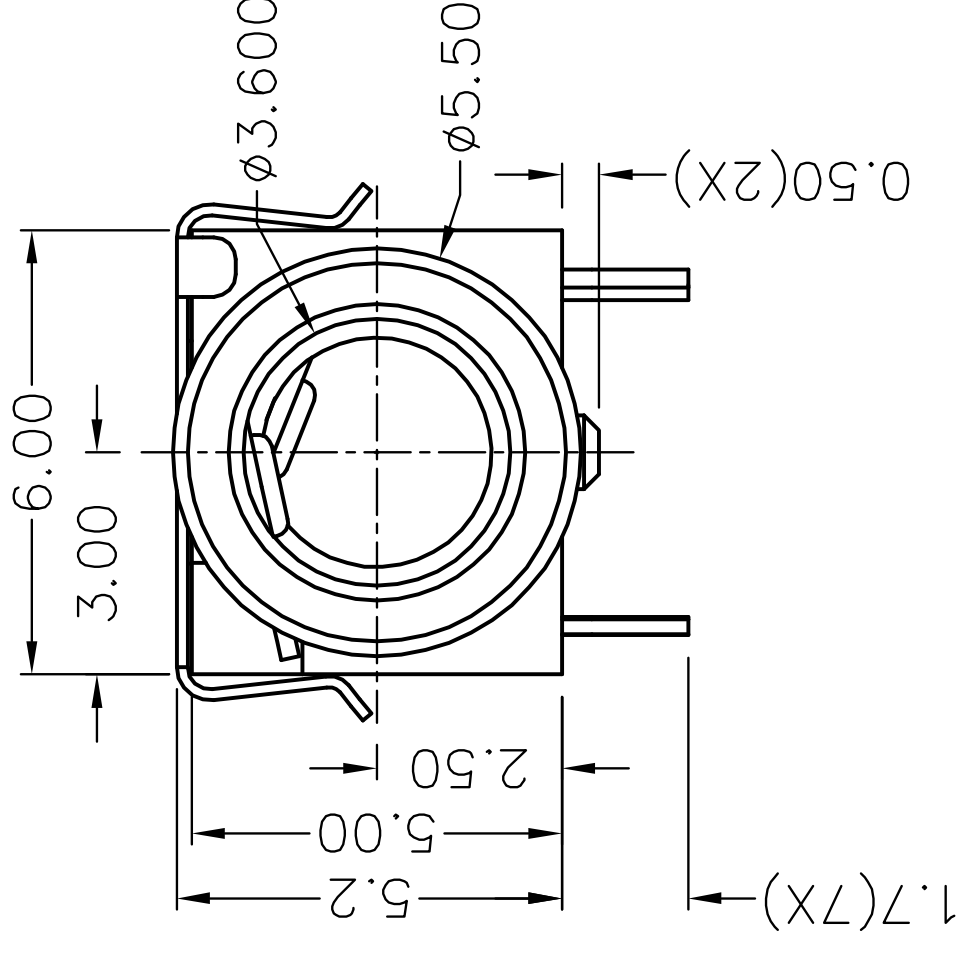
ZONE	SYMBOL

REVISION	APPROVAL	DATE

1



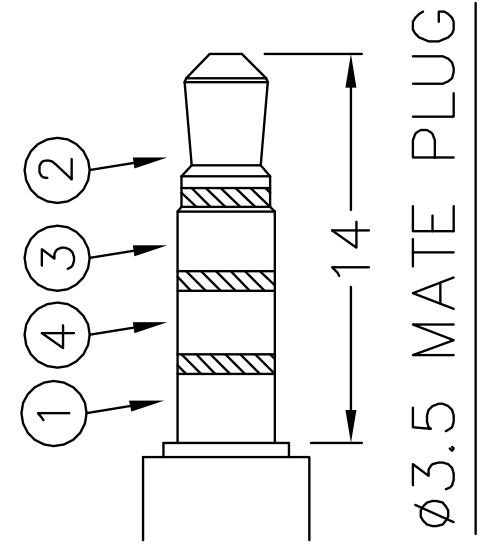
2



3

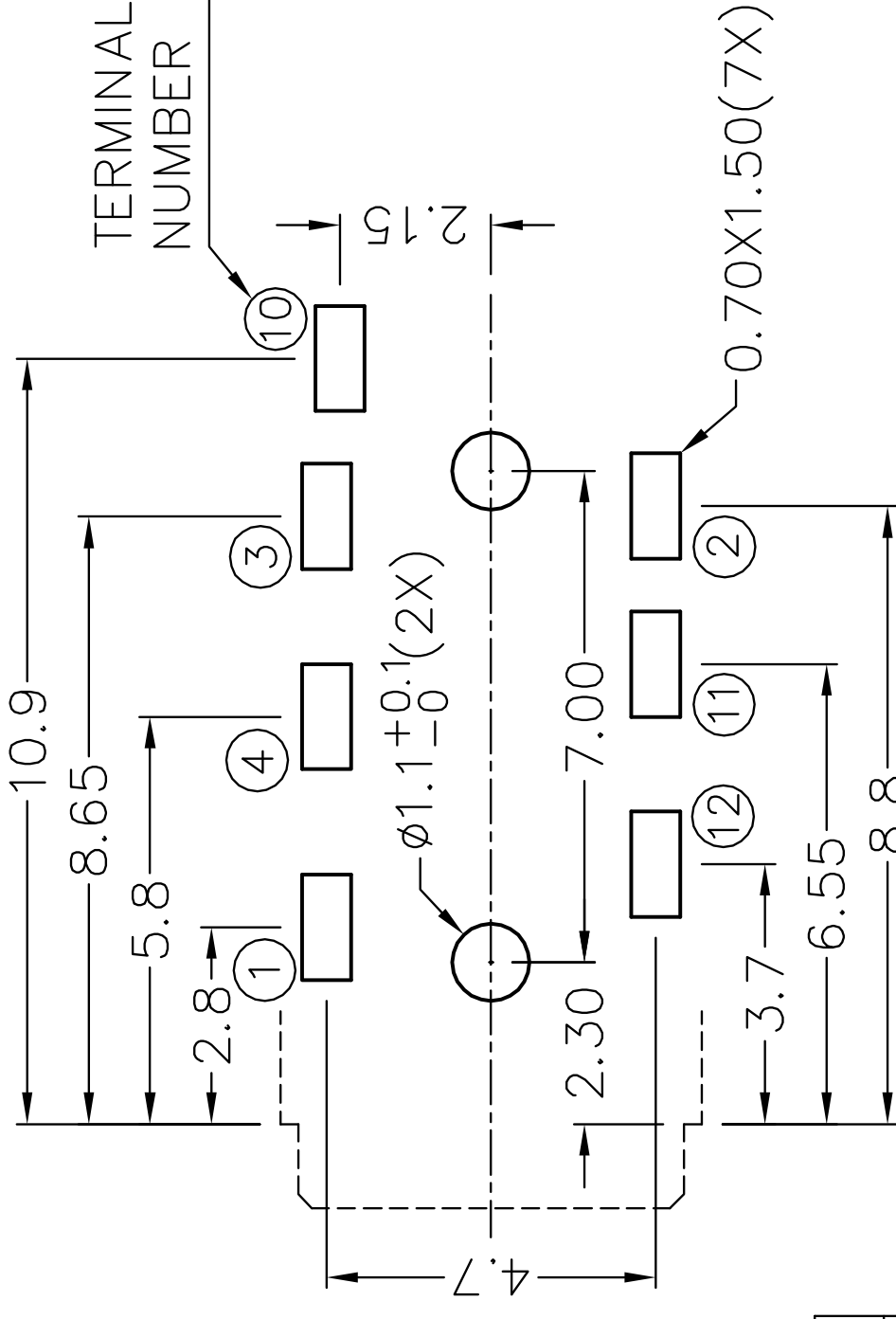
*** MATERIAL**

TERMINAL 1	: COPPER ALLOY
TERMINAL 2	: COPPER ALLOY
TERMINAL 3	: COPPER ALLOY
TERMINAL 4	: COPPER ALLOY
TERMINAL 10	: BRASS
TERMINAL 11	: BRASS
TERMINAL 12	: BRASS
SHIELD	: STAINLESS STEEL
HOUSING	: PA6T



MODEL NO.	TSH-3917S1-3	TSH-3916AS1-3	TSH-3915AS1-3	TSH-3914S1-3	TSH-3915S1-3
SCHEMATIC					

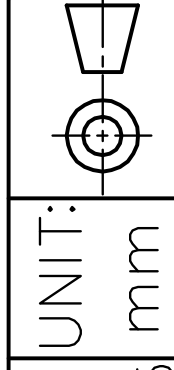
PCB LAYOUT
(BOTTOM VIEW)



4

JOYNet Enterprise Co., Ltd.

DESIGN	T.Y.LI	DATE	25-7-2007	SCALE	4:1
DRAWING	T.Y.LI	DATE	25-7-2007	MATERIAL	*
CHECK		DATE		DWG. NO.	TZ\SH391S1-3-PA6T/A
APPROVAL		DATE		SHEET	



PART NAME 3.5mm STEREO JACK W/HANDING SHIELD TOLERANCE UNLESS 0.0±0.2
 PART NO. TSH-391S1-3 OTHERWISE SPECIFIED: 0.000±0.05 UNIT: mm

F

E

D

C

B

A