

F

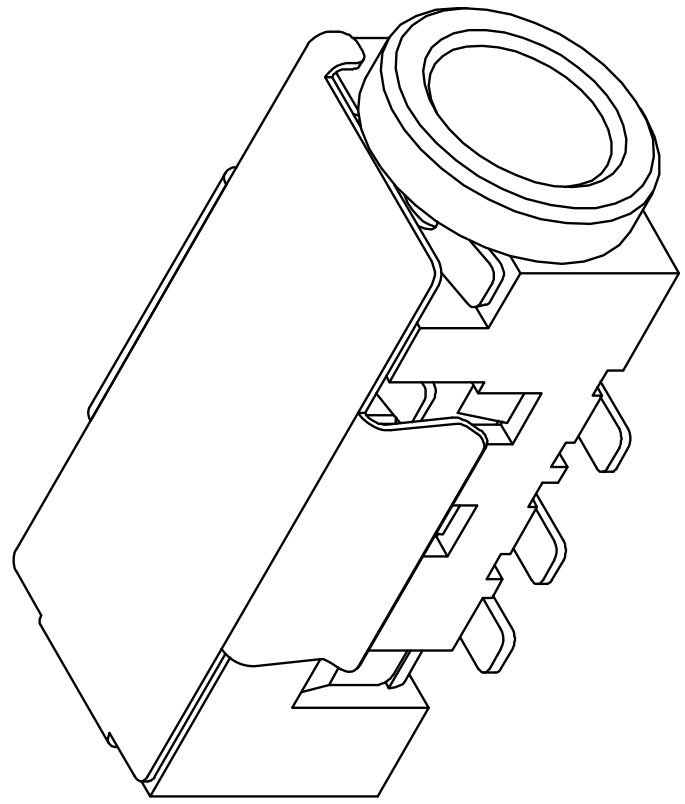
E

D

C

B

A

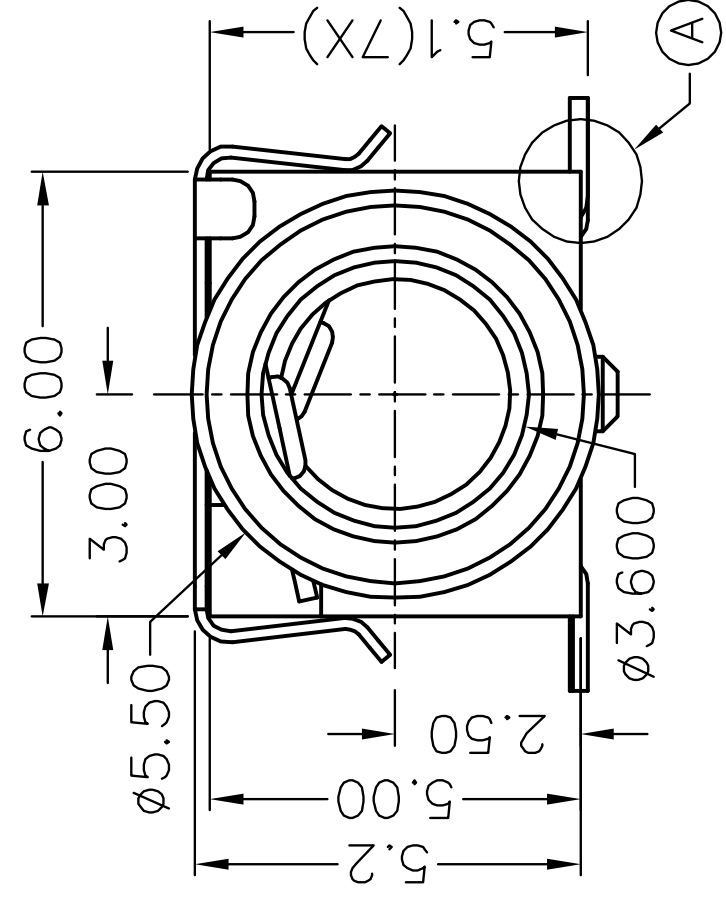


RoHS
Compliant

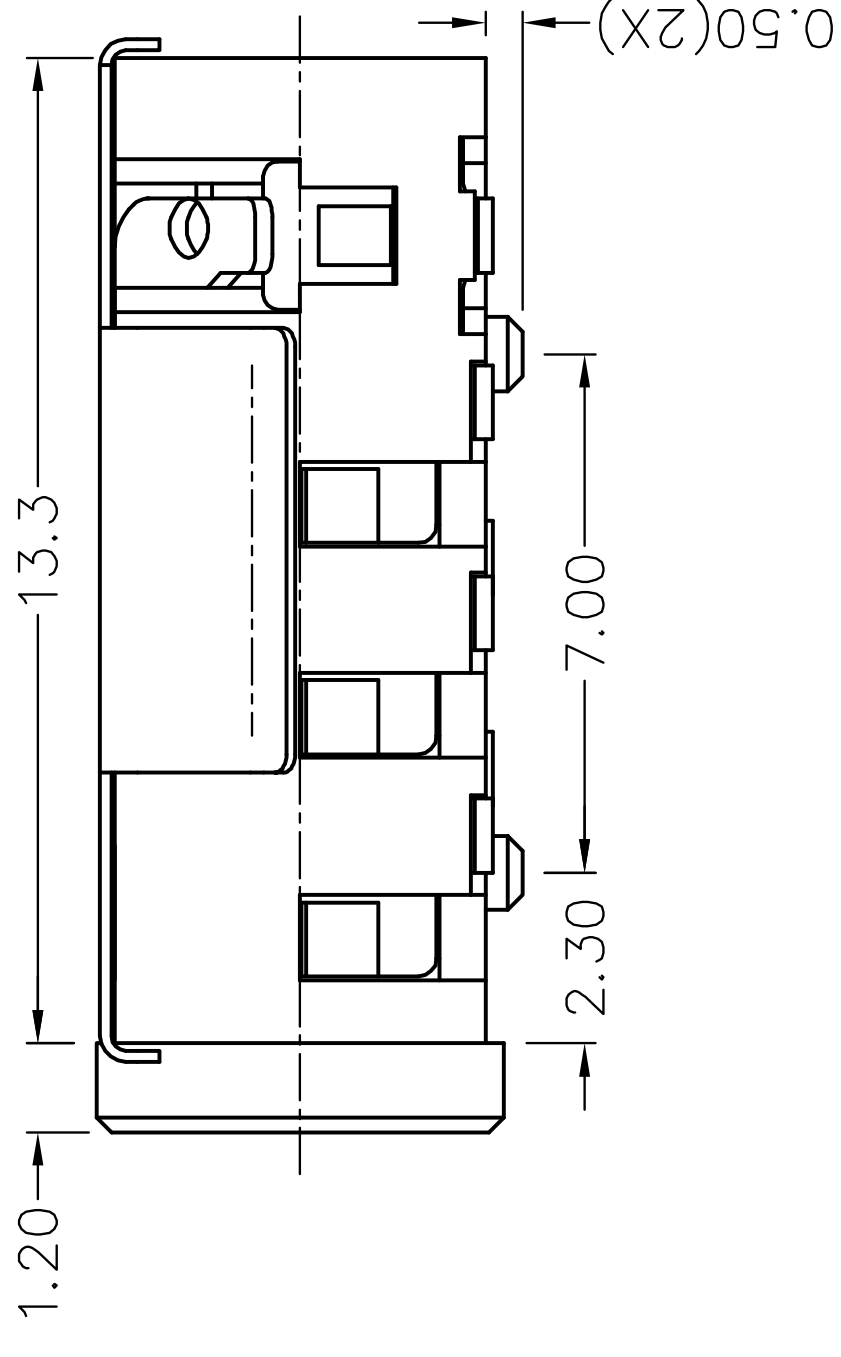
ZONE SYMBOL	
ADDED INDICATION OF COPLANARITY	J.X.KUANG
REVISION	
APPROVAL	

DATE	28-11-2008
APPROVAL	J.X.KUANG

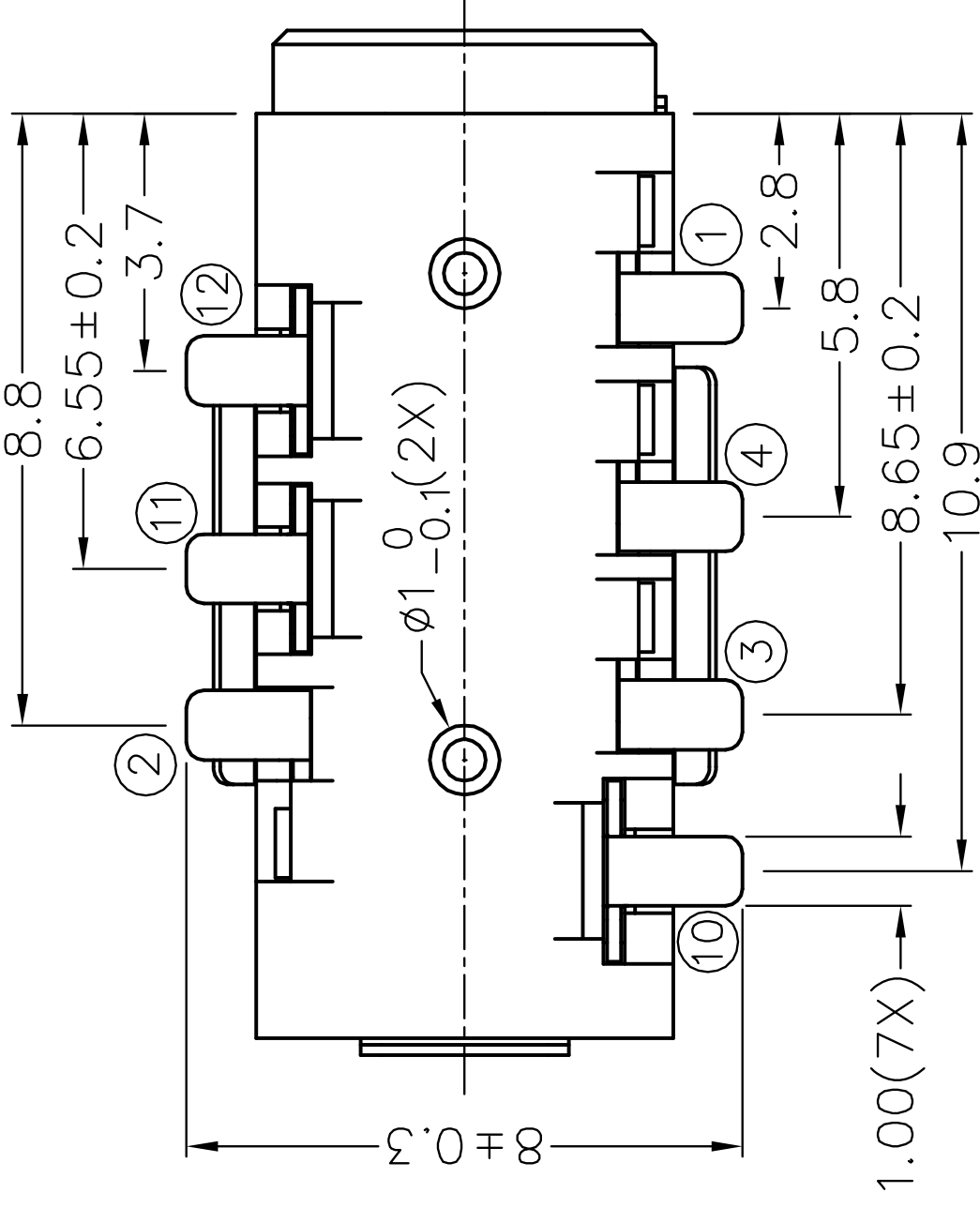
1



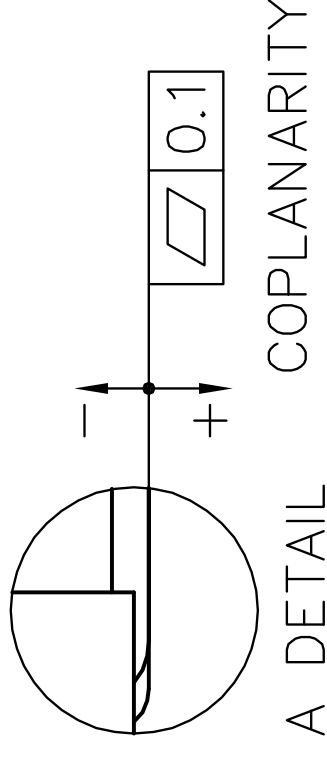
1



2

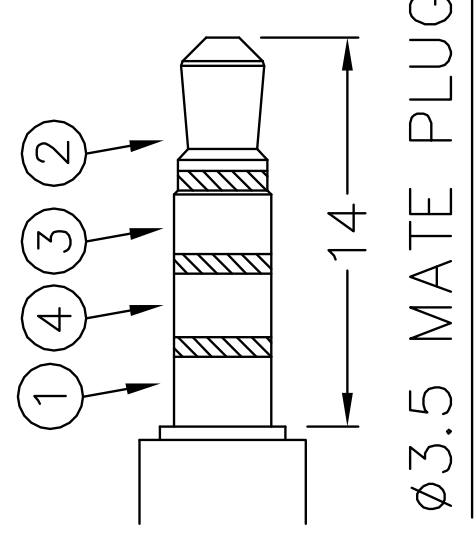


2

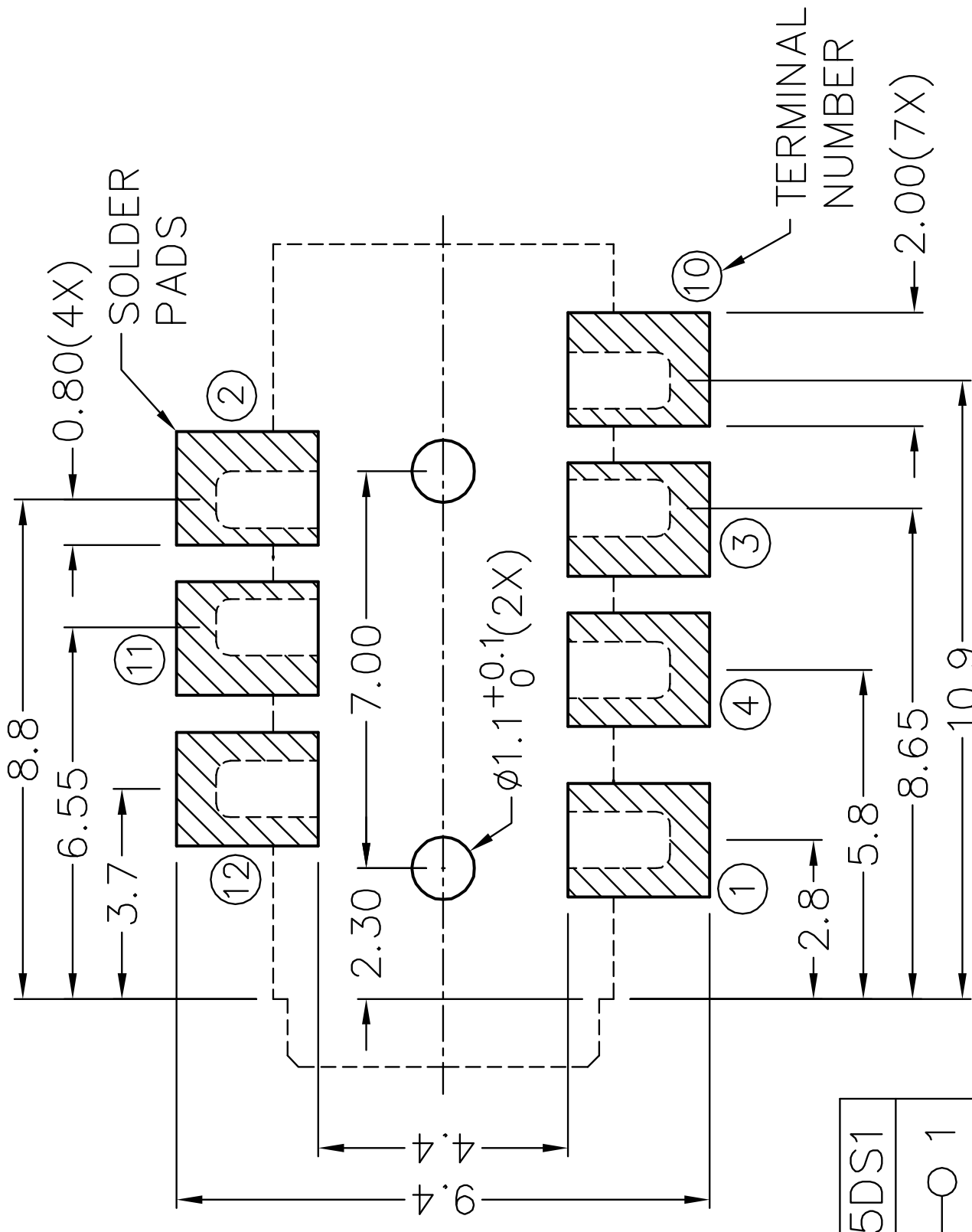


*** MATERIAL**

- TERMINAL 1 : COPPER ALLOY
- TERMINAL 2 : COPPER ALLOY
- TERMINAL 3 : COPPER ALLOY
- TERMINAL 4 : COPPER ALLOY
- TERMINAL 10 : BRASS
- TERMINAL 11 : BRASS
- TERMINAL 12 : BRASS
- SHIELD : STAINLESS STEEL
- HOUSING : PA6T



3



RECOMMENDED
SOLDER PAD LAYOUT

MODEL NO.	TSH-3917DS1	TSH-3916ADS1	TSH-3915ADS1	TSH-3915CDS1	TSH-3914DS1	TSH-3915DS1
SCHEMATIC						

4



DESIGN	T.Y.LI	DATE	23-3-2006	SCALE	4:1
DRAWING	T.Y.LI	DATE	28-11-2008	MATERIAL	*
CHECK		DATE		DWG. NO.	TZ\SH391DS1-PA6T/D
APPROVAL		DATE		SHEET	

PART NAME	3.5mm SMD STEREO JACK W/HANDING SHIELD	TOLERANCE UNLESS	0.0±0.2	UNIT:	mm
PART NO.	TSH-391DS1	OTHERWISE SPECIFIED:	0.00±0.1		

F

E

D

C

B

A