

F

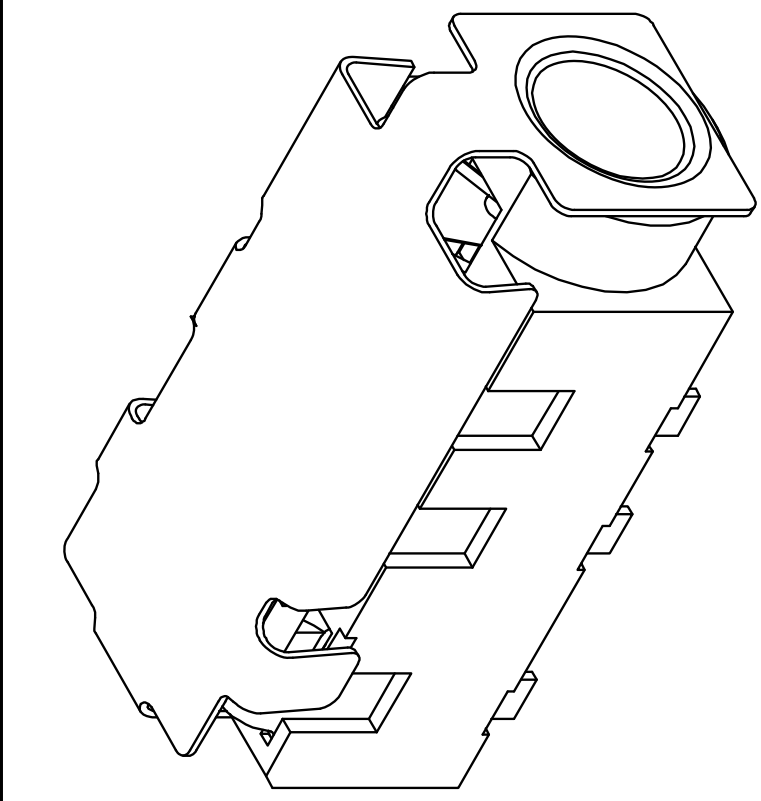
E

D

C

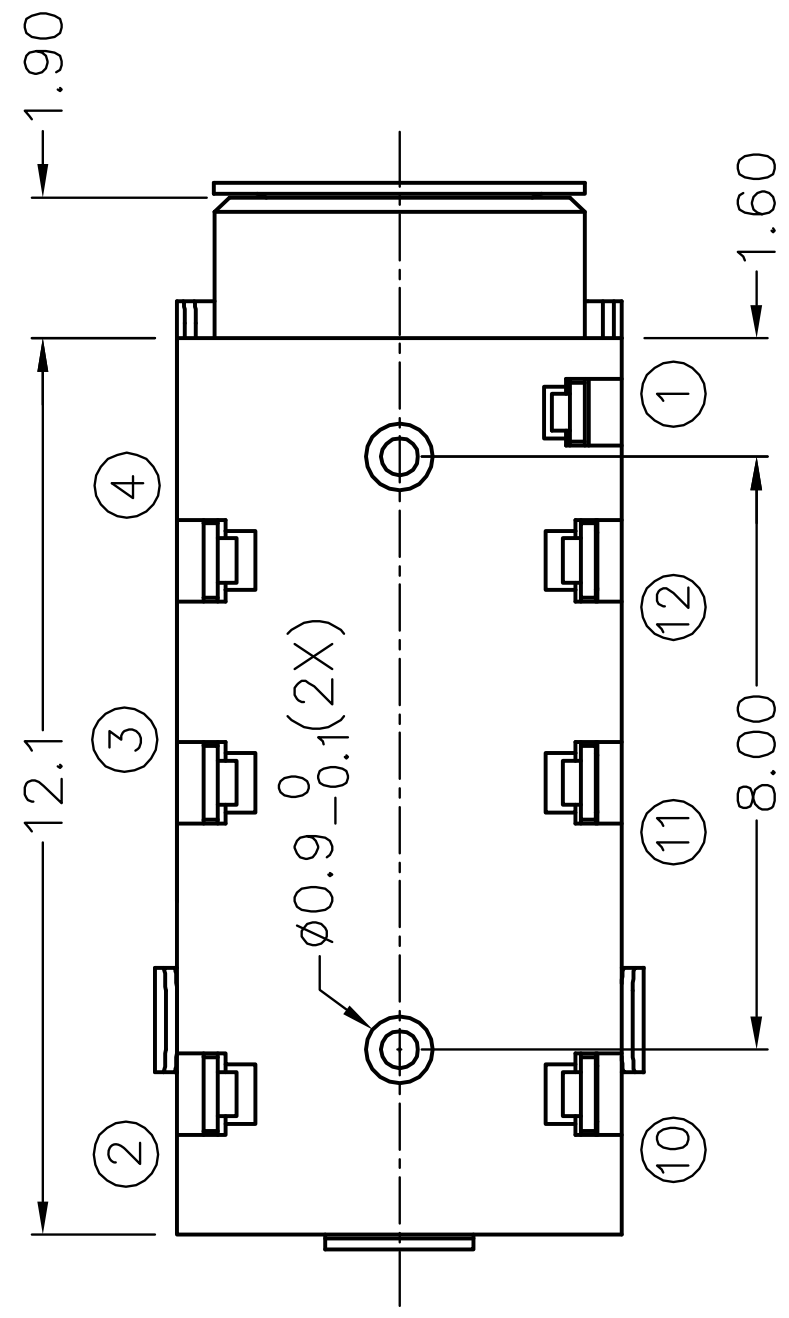
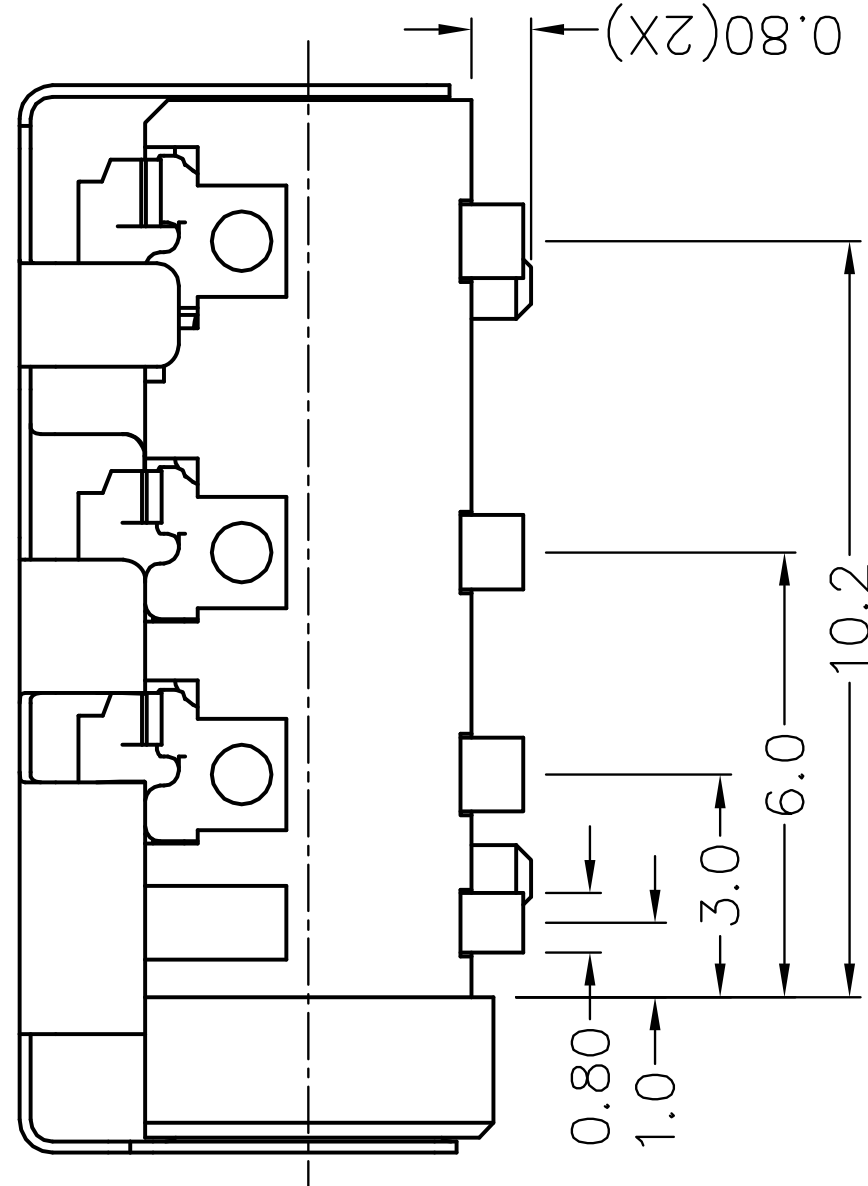
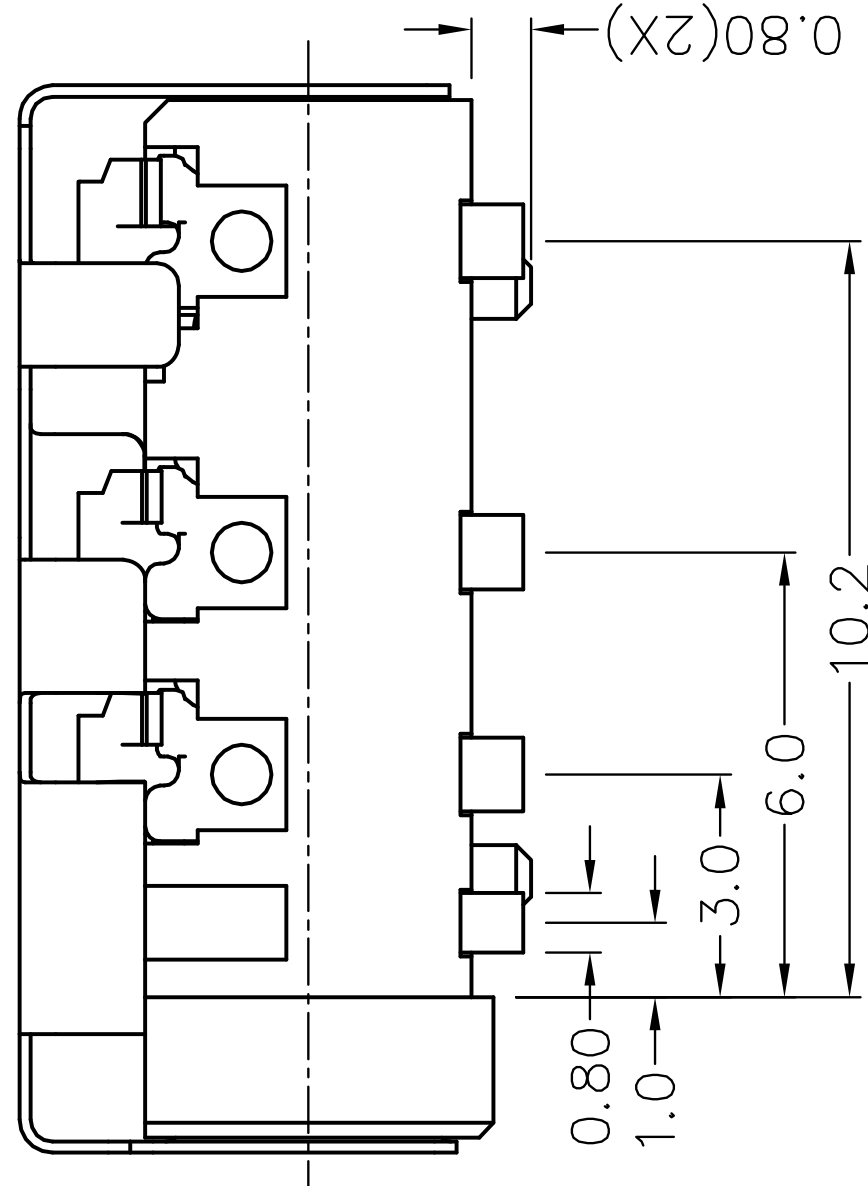
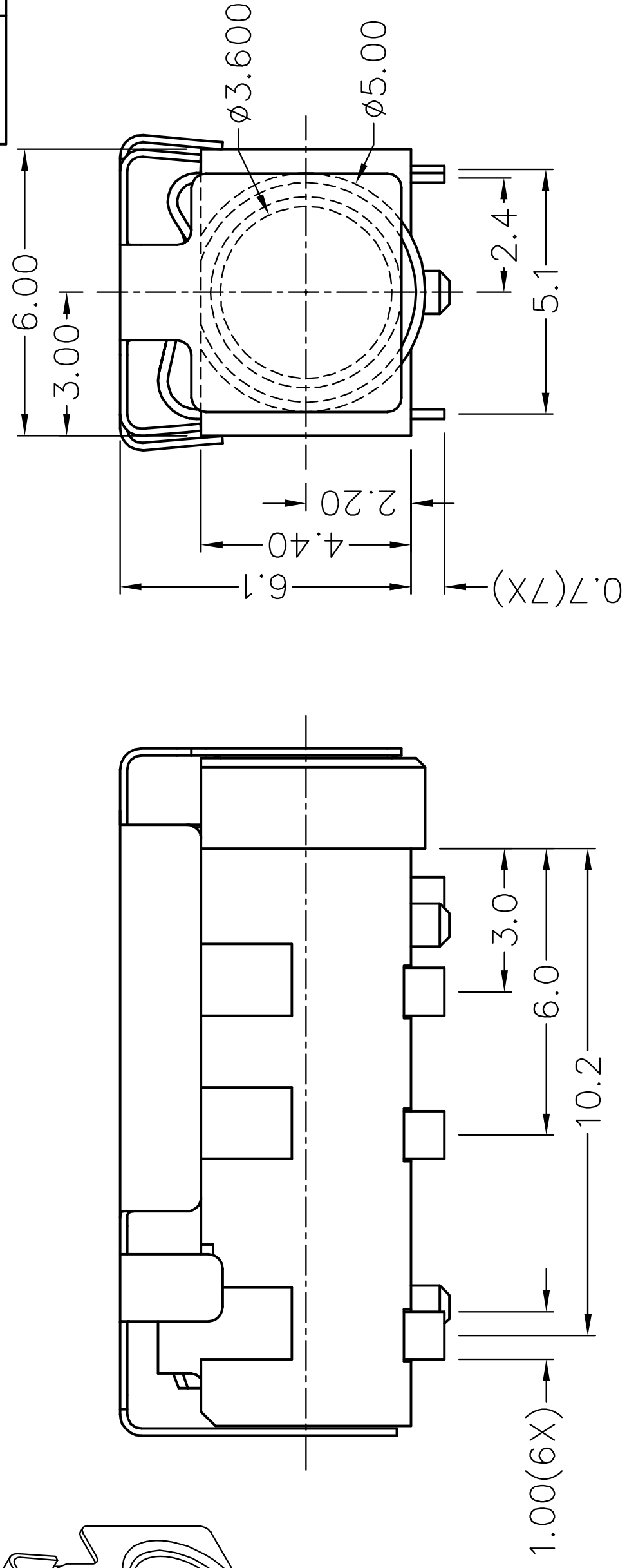
B

A



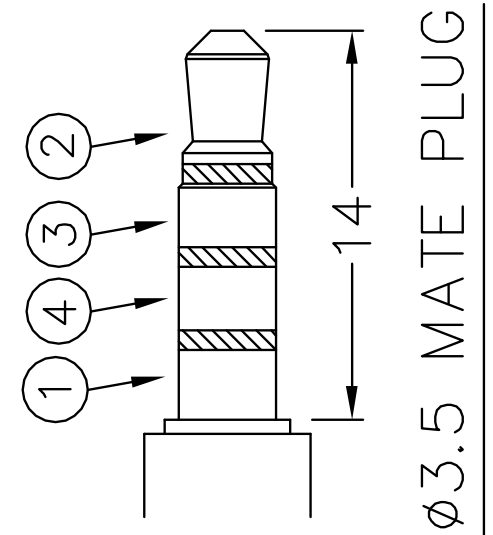
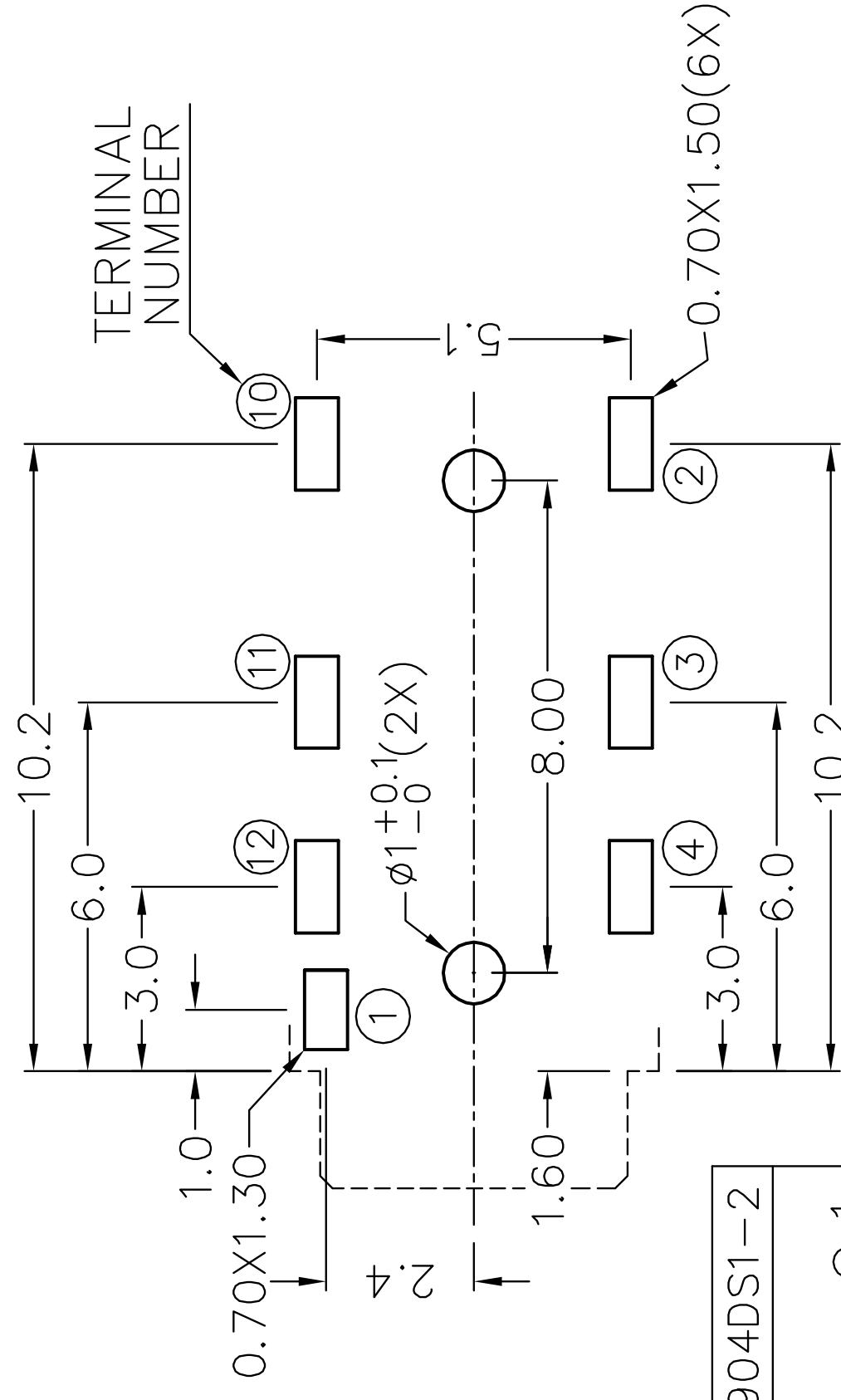
RoHS
Compliant

ZONE	SYMBOL	REVISION	APPROVAL	DATE



*** MATERIAL**

TERMINAL 1 : COPPER ALLOY
 TERMINAL 2 : COPPER ALLOY
 TERMINAL 3 : COPPER ALLOY
 TERMINAL 4 : COPPER ALLOY
 TERMINAL 10 : BRASS
 TERMINAL 11 : BRASS
 TERMINAL 12 : BRASS
 SHIELD : STAINLESS STEEL
 HOUSING : PA6T



Ø3.5 MATE PLUG

MODEL NO.	TSH-3907DS1-2	TSH-3906ADS1-2	TSH-3905ADS1-2	TSH-3905BDS1-2	TSH-3904DS1-2
SCHEMATIC					

SPECIFICATIONS

- 1 Insulation resistance of adjacent open terminals shall not be less than 50 Megohms when measured with 500 Volts resistance meter.
- 2 Connector shall withstand 500 Volts (RMS) between adjacent open terminal for one minute.
- 3 Contact resistance of normally closed terminals shall not exceed 0.03 ohms when measured at a current of one Ampere by Voltage drop method.
- 4 Connector shall withstand 5,000 cycles of insertions and withdrawal with testing plug, contact resistance shall not exceed 0.1 ohm.

JOYNet Enterprise Co., Ltd.

PART NAME	3.5mm SMD STEREO JACK W/HANDING SHIELD	TOLERANCE UNLESS	0.0±0.2	UNIT:	mm	DESIGN	T.Y.LI	DATE	25-11-2005	SCALE	4:1
PART NO.	TSH-390DS1-2	OTHERWISE SPECIFIED:	0.00±0.1			DRAWING	T.Y.LI	DATE	25-11-2005	MATERIAL	*
			0.000±0.05			CHECK		DATE		DWG. NO.	TZ\SH390DS1-2-PA6T/A
						APPROVAL		DATE		SHEET	

F

E

D

C

B

A

DCF-04/A