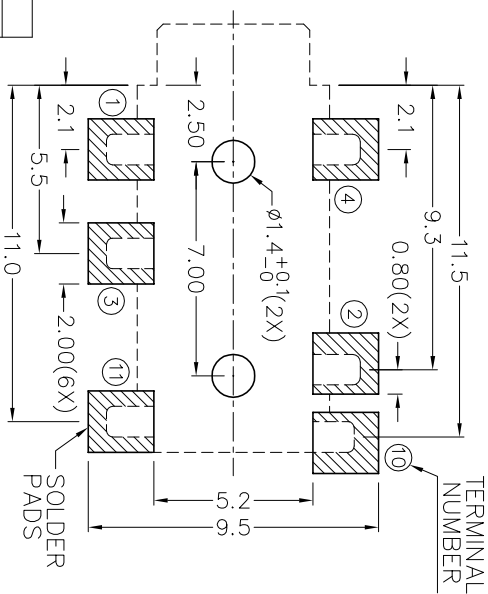
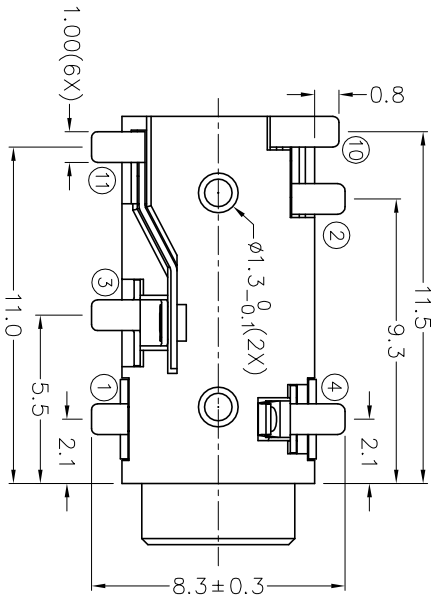
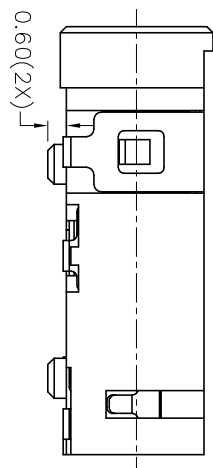
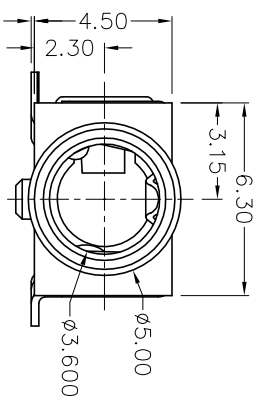
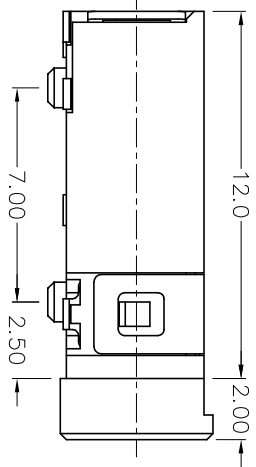
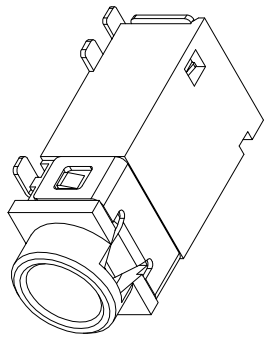


RoHS
Compliant

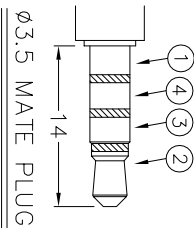
ZONE	SYMBOL	REVISION	APPROVAL	DATE
F2		AMEND THE TERMINAL NO.	J.X.KUANG	4-10-2006



RECOMMENDED
SOLDER PAD LAYOUT

MODEL NO.	TSH-3896D	TSH-3895AD	TSH-3895BD	TSH-3894D
SCHEMATIC				

* MATERIAL
 TERMINAL 1 : COPPER ALLOY
 TERMINAL 2 : COPPER ALLOY
 TERMINAL 3 : COPPER ALLOY
 TERMINAL 4 : COPPER ALLOY
 TERMINAL 10: BRASS
 TERMINAL 11 : BRASS
 HOUSING : PA6T



4

3

2

1

JOYNet Enterprise Co., Ltd.
 Technology / Precision / Service

PART NAME 3.5mm SMD STEREO JACK
 PART NO. TSH-389D

TOLERANCE UNLESS OTHERWISE SPECIFIED: 0.000±0.05

0.0±0.2
 0.00±0.1
 UNIT: mm



DESIGN T.Y.LI
 DRAWING T.Y.LI
 CHECK
 APPROVAL

DATE 17-10-2005
 DATE 4-10-2006
 DATE

SCALE 4:1
 MATERIAL *
 DWG. NO. TZ\SH389D-PA6T/C
 SHEET

F

E

D

C

B

A

DCF-04/A

4

3

2

1