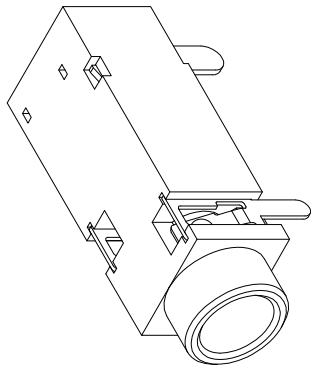
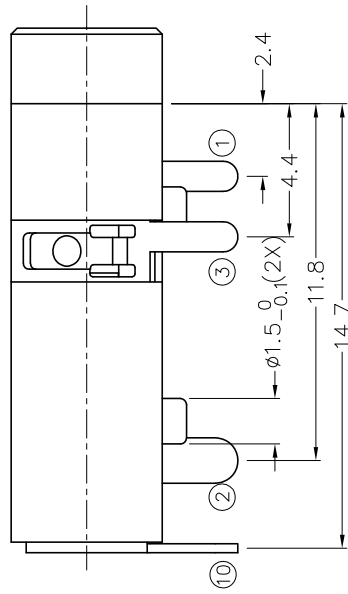
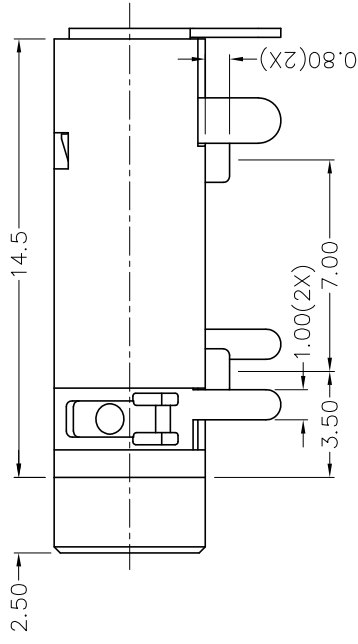
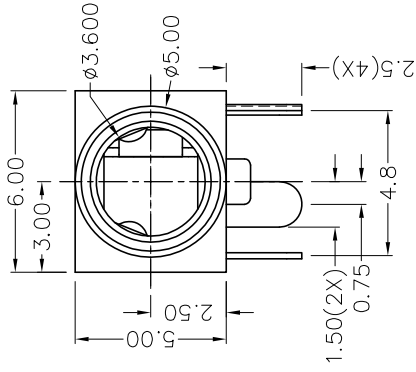


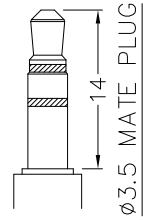
F**E****D****C****B****A**

RoHS
Compliant

ZONE	SYMBOL	REVISION	APPROVAL	DATE
		CORRECTED LAYOUT	J.X.KUANG	8-9-2007

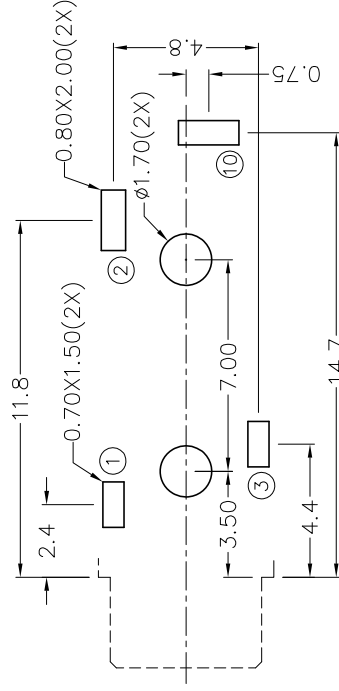
1**2****3**

MODEL NO.	TSH-3874	TSH-3873	TSH-3873A
SCHEMATIC			



*** MATERIAL**

TERMINAL 1 : COPPER ALLOY
 TERMINAL 2 : COPPER ALLOY
 TERMINAL 3 : COPPER ALLOY
 TERMINAL 10 : BRASS
 HOUSING : PA66

**4**

JOYNet Enterprise Co., Ltd.

DESIGN	G.P.YI	DATE	18-5-2006	SCALE	4:1
DRAWING	T.Y.LI	DATE	8-9-2007	MATERIAL	*
CHECK		DATE		DWG. NO.	TZ\SH387-PA66/B
APPROVAL		DATE		SHEET	

PART NAME	3.5mm STEREO JACK	TOLERANCE UNLESS	0.0±0.2	UNIT:	mm
PART NO.	TSH-387	OTHERWISE SPECIFIED:	0.000±0.05		

F**E****D****C****B****A**