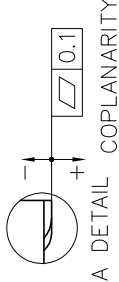
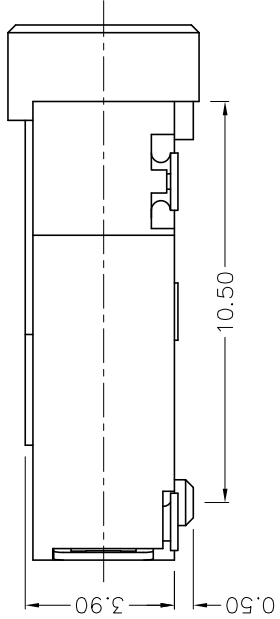
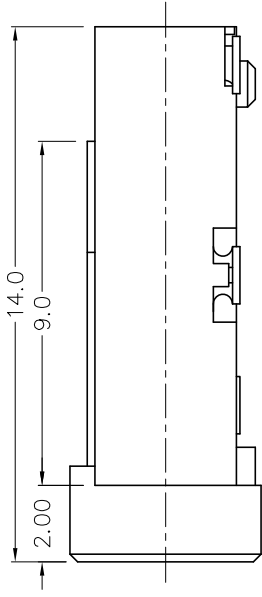
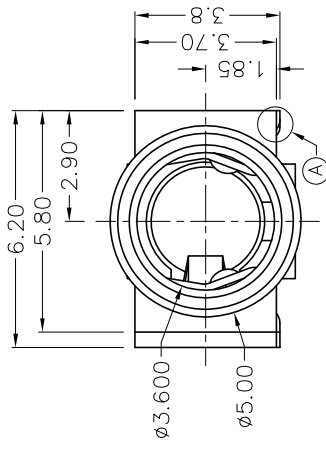
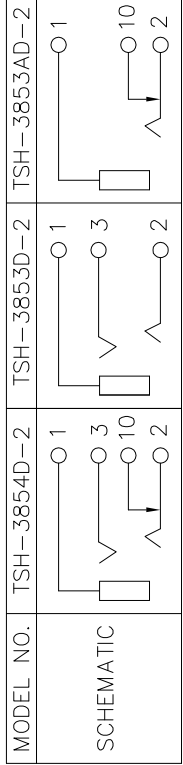
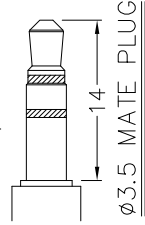
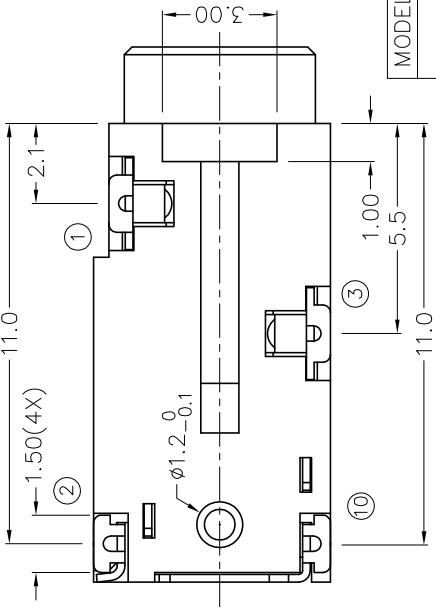


RoHS  
Compliant



\* MATERIAL  
 TERMINAL 1 : COPPER ALLOY  
 TERMINAL 2 : COPPER ALLOY  
 TERMINAL 3 : COPPER ALLOY  
 TERMINAL 10 : BRASS  
 HOUSING : PA6T



RECOMMENDED  
SOLDER PAD LAYOUT

JOYNet Enterprise Co., Ltd.

PART NAME	3.5mm SMD STEREO JACK	DESIGN	J.JIANG	DATE	24-1-2005	SCALE	5:1
PART NO.	TSH-385D-2	DRAWING	T.Y.LI	DATE	21-11-2008	MATERIAL	*
TOLERANCE UNLESS 0.0±0.2		CHECK		DATE		DWG. NO.	TZ\SH385D-2-PA6T/C
OTHERWISE SPECIFIED: 0.00±0.05 mm		APPROVAL		DATE		SHEET	