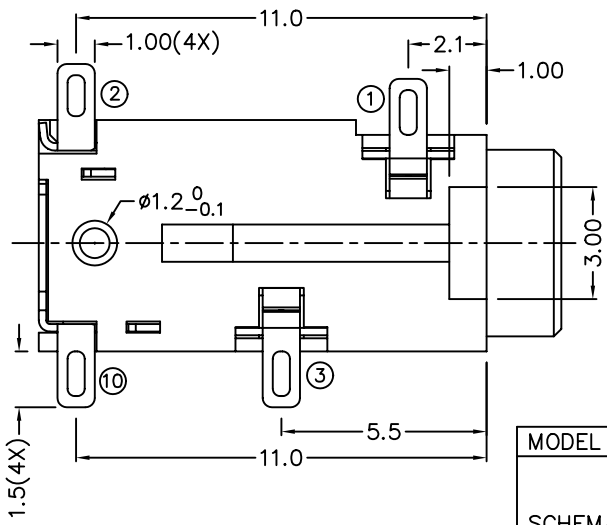
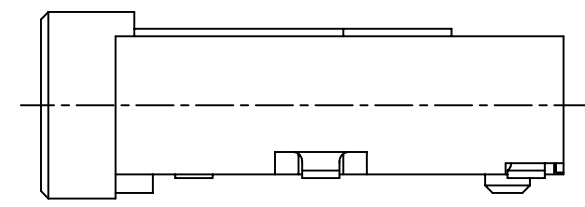
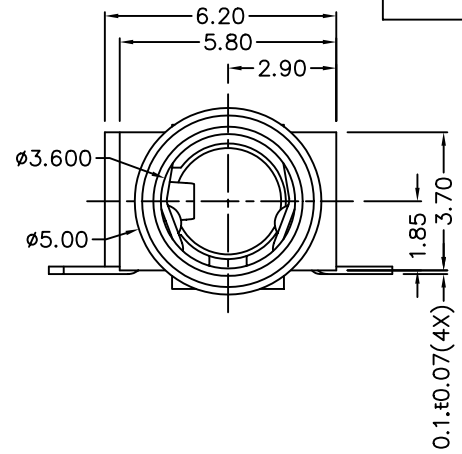
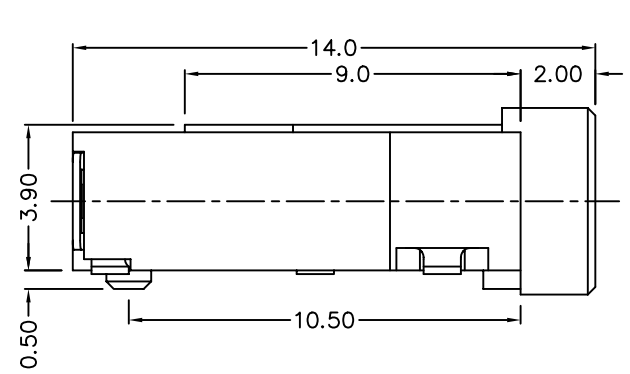
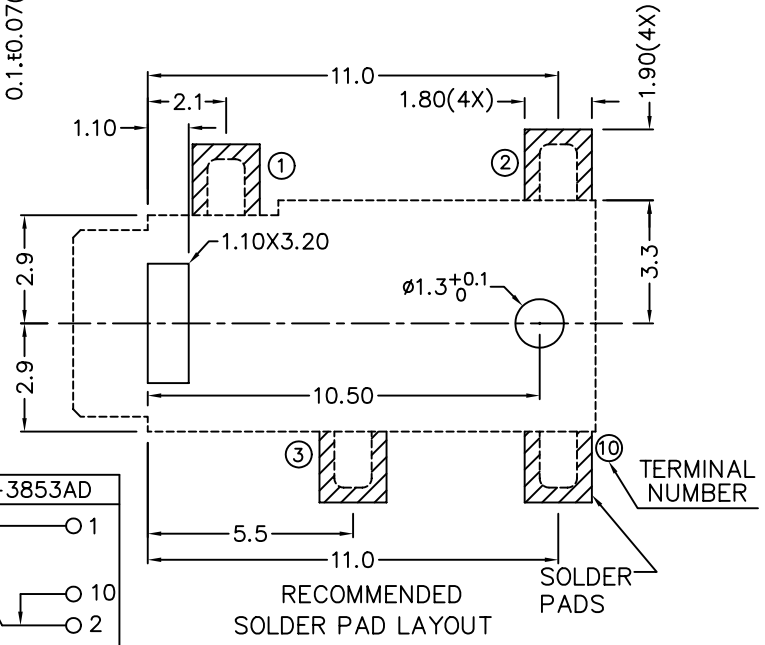


ZONE	SYMBOL	REVISION	APPROVAL	DATE



**\* MATERIAL**

- TERMINAL 1 : COPPER ALLOY
- TERMINAL 2 : COPPER ALLOY
- TERMINAL 3 : COPPER ALLOY
- TERMINAL 10 : BRASS
- HOUSING : PA6T



MODEL NO.	TSH-3854D	TSH-3853D	TSH-3853AD
SCHEMATIC			

**SPECIFICATIONS**

- 1 Insulation resistance of adjacent open terminals shall not be less than 50 Megohms when measured with 500 Volts resistance meter.
- 2 Connector shall withstand 500 Volts (RMS) between adjacent open terminal for one minute.
- 3 Contact resistance of normally closed terminals shall not exceed 0.03 ohms when measured at a current of one Ampere by Voltage drop method.
- 4 Connector shall withstand 5,000 cycles of insertions and withdrawal with testing plug , contact resistance shall not exceed 0.1 ohm.



DESIGN		T.Y.LI	DATE	7-1-2004	SCALE	5:1
DRAWING		T.Y.LI	DATE	7-1-2004	MATERIAL	*
PART NAME	3.5mm SMD STEREO JACK	TOLERANCE UNLESS	0.0±0.2	CHECK	DATE	DWG. NO. TZ\SH385D-PA6T
PART NO.	TSH-385D	OTHERWISE SPECIFIED:	0.00±0.1 0.000±0.05	APPROVAL	DATE	SHEET