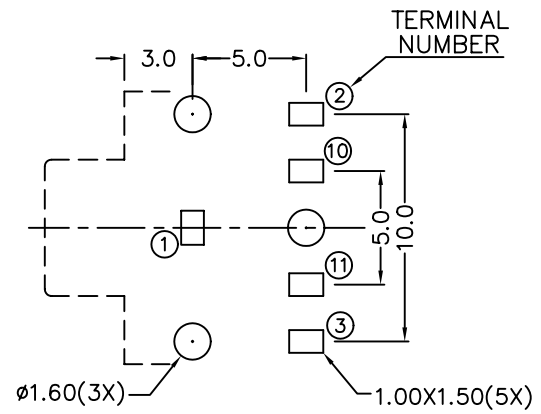
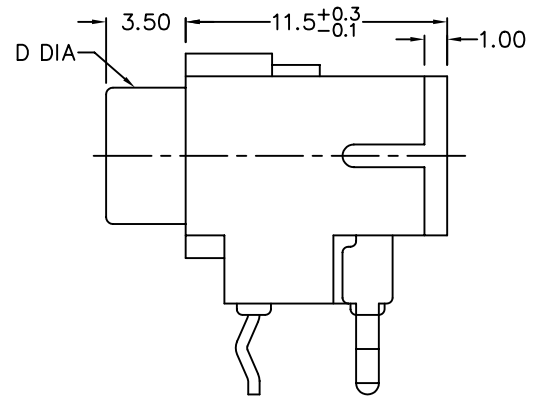
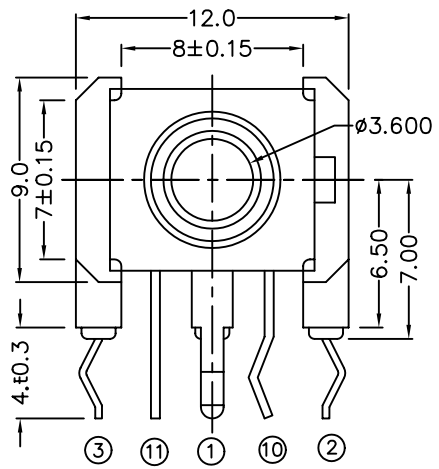


ZONE	SYMBOL	REVISION	APPROVAL	DATE



PCB LAYOUT (BOTTOM VIEW)

* MATERIAL

- TERMINAL 1 : COLD ROLLED STEEL
- TERMINAL 2 : COPPER ALLOY
- TERMINAL 3 : COPPER ALLOY
- TERMINAL 10 : BRASS
- TERMINAL 11 : BRASS
- BUSHING : BRASS
- SPRING : STAINLESS STEEL
- HOUSING : PBT
- COVER : PBT

THREADED	M6X0.5	MODEL NO.	TSH-3845N	TSH-3844AN	TSH-3844BN	TSH-3843N	TSH-3843AN
FLASHED	φ6.0	MODEL NO.	TSH-3845F	TSH-3844AF	TSH-3844BF	TSH-3843F	TSH-3843AF
D DIA		SCHEMATIC					

SPECIFICATIONS

- 1 Insulation resistance of adjacent open terminals shall not be less than 50 Megohms when measured with 500 Volts resistance meter.
- 2 Connector shall withstand 500 Volts (RMS) between adjacent open terminal for one minute.
- 3 Contact resistance of normally closed terminals shall not exceed 0.03 ohms when measured at a current of one Ampere by Voltage drop method.
- 4 Connector shall withstand 5,000 cycles of insertions and withdrawal with testing plug , contact resistance shall not exceed 0.1 ohm.



DESIGN			Z.X.N	DATE	18-9-2003	SCALE	3:1
DRAWING			Z.X.N	DATE	18-9-2003	MATERIAL	*
PART NAME	3.5mm STEREO JACK	TOLERANCE UNLESS	0.0±0.2	CHECK	DATE	DWG. NO.	TZ\SH384-PBT
PART NO.	TSH-384	OTHERWISE SPECIFIED:	0.00±0.1 0.000±0.05	APPROVAL	DATE	SHEET	