

1

2

3

4

ZONE SYMBOL

REVISION

APPROVAL DATE

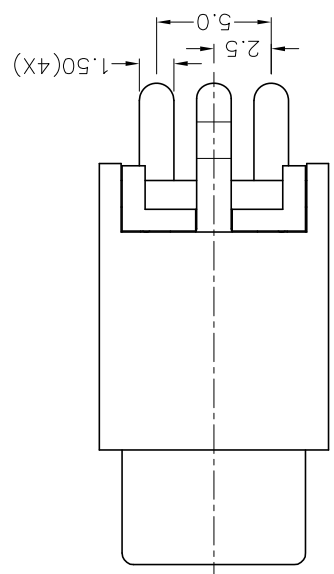
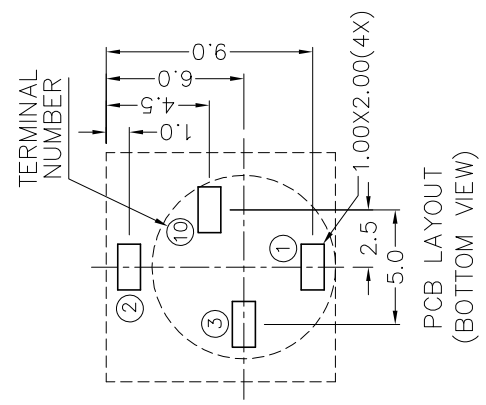
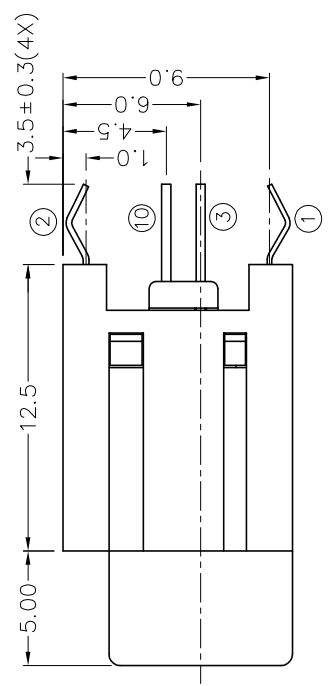
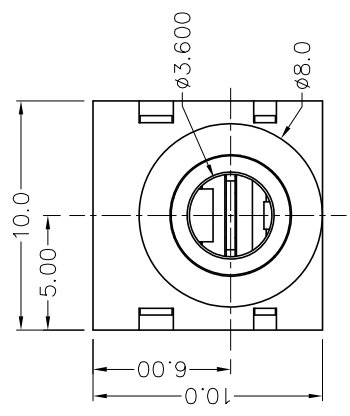
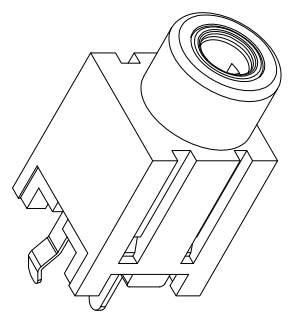
APPROVAL DATE

APPROVAL DATE

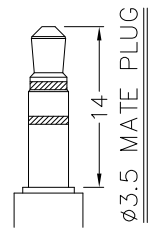
APPROVAL DATE

APPROVAL DATE

APPROVAL DATE



- \* MATERIAL
- TERMINAL 1 : COPPER ALLOY
  - TERMINAL 2 : COPPER ALLOY
  - TERMINAL 3 : BRASS
  - TERMINAL 10 : BRASS
  - BUSHING : BRASS
  - HOUSING : PBT
  - COVER : PBT



MODEL NO.	TSH-3834M	TSH-3833M	TSH-3833AM
SCHEMATIC			

**JOYNet Enterprise Co., Ltd.**

PART NAME	3.5mm STEREO JACK	TOLERANCE UNLESS	0.0±0.2	UNIT:	mm
PART NO.	TSH-383M	OTHERWISE SPECIFIED:	0.00±0.1		
			0.000±0.05		
DESIGN	T.Y.LI	DATE	27-2-2008	SCALE	3:1
DRAWING	T.Y.LI	DATE	27-2-2008	MATERIAL	*
CHECK		DATE		DWG. NO.	TZ\SH383M-PBT/A
APPROVAL		DATE		SHEET	