

F

E

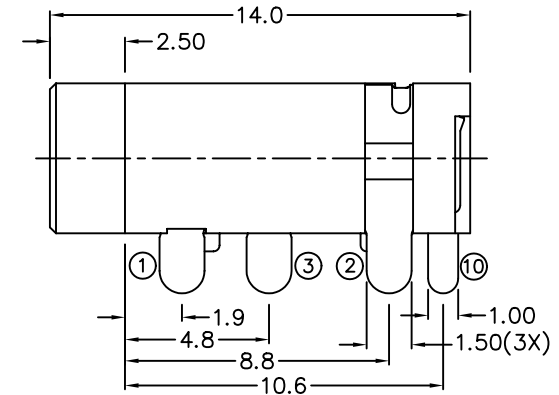
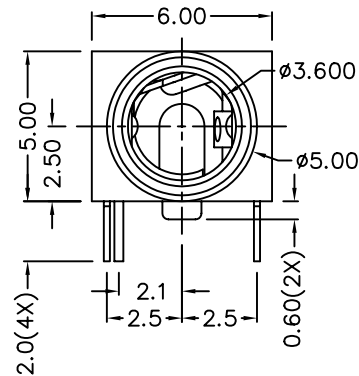
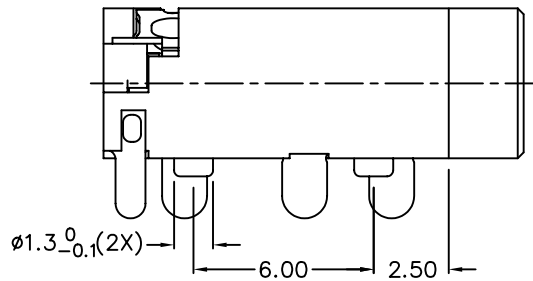
D

C

B

A

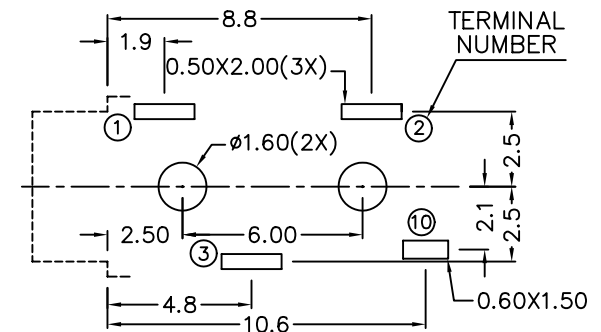
ZONE	SYMBOL	REVISION	APPROVAL	DATE
		DWG. NO. TO REVISE	S.T.CHU	7-10-2003



MODEL NO.	TSH-3814	TSH-3813	TSH-3813A
SCHEMATIC			

* MATERIAL

TERMINAL 1 : COPPER ALLOY
 TERMINAL 2 : COPPER ALLOY
 TERMINAL 3 : COPPER ALLOY
 TERMINAL 10 : BRASS
 HOUSING : PA66



PCB LAYOUT
(BOTTOM VIEW)

SPECIFICATIONS

- 1 Insulation resistance of adjacent open terminals shall not be less than 50 Megohms when measured with 500 Volts resistance meter.
- 2 Connector shall withstand 500 Volts (RMS) between adjacent open terminal for one minute.
- 3 Contact resistance of normally closed terminals shall not exceed 0.03 ohms when measured at a current of one Ampere by Voltage drop method.
- 4 Connector shall withstand 5,000 cycles of insertions and withdrawal with testing plug, contact resistance shall not exceed 0.1 ohm.

JOYNet Enterprise Co., Ltd. Technology
Profession
Service

DESIGN	T.Y.LI	DATE	7-10-2003	SCALE	4:1
DRAWING	T.Y.LI	DATE	7-10-2003	MATERIAL	*
CHECK		DATE		DWG. NO.	TZ\SH381-PA66
APPROVAL		DATE		SHEET	

PART NAME	3.5mm STEREO JACK	TOLERANCE UNLESS	0.0±0.2	UNIT:	
PART NO.	TSH-381	OTHERWISE SPECIFIED:	0.00±0.1 0.000±0.05	mm	

F

E

D

C

B

A

DCF-04/A