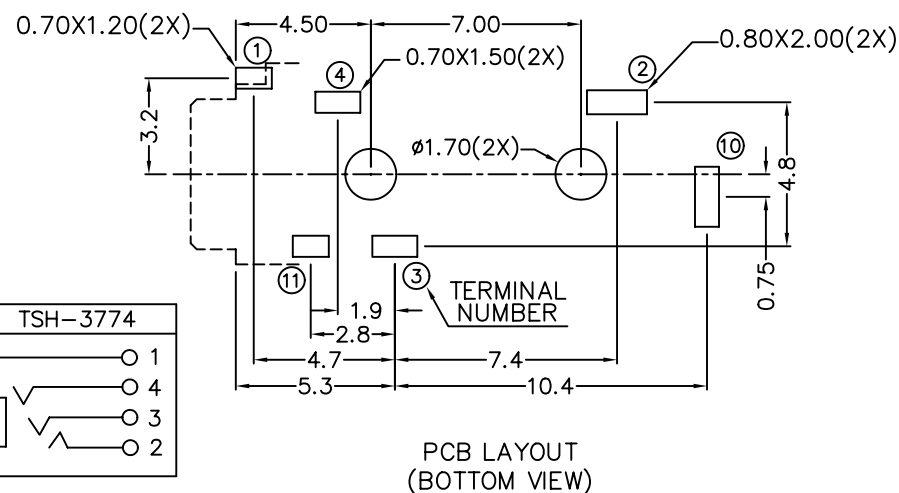
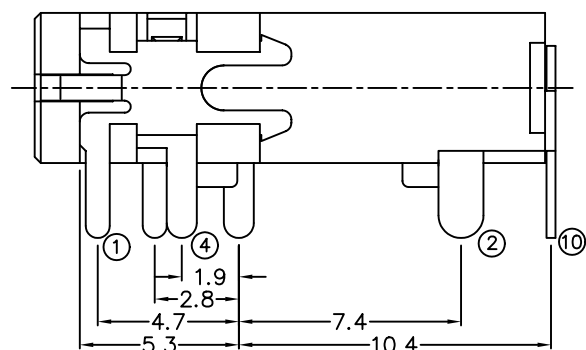
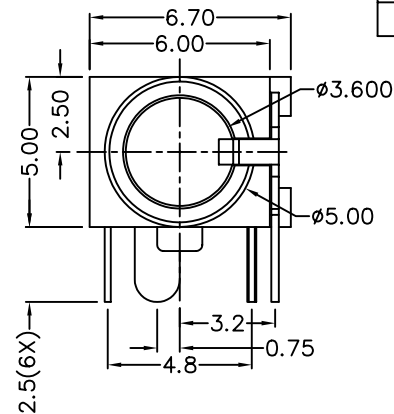
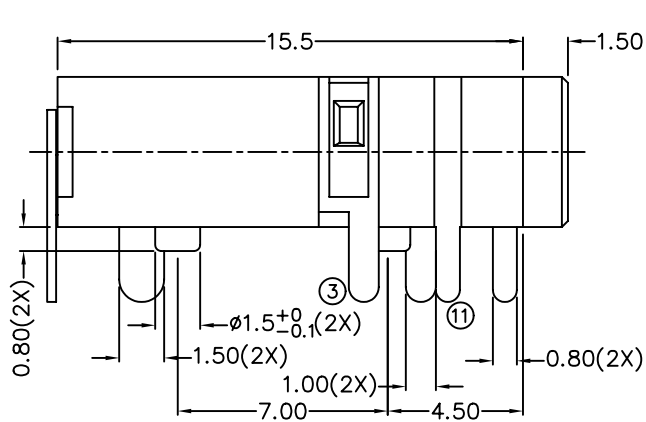
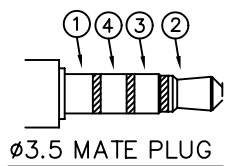


ZONE	SYMBOL	REVISION	APPROVAL	DATE
		DWG. NO. TO REVISE	S.T.CHU	7-10-2003



**\* MATERIAL**

- TERMINAL 1 : COPPER ALLOY
- TERMINAL 2 : COPPER ALLOY
- TERMINAL 3 : COPPER ALLOY
- TERMINAL 4 : COPPER ALLOY
- TERMINAL 10 : BRASS
- TERMINAL 11 : BRASS
- HOUSING : PA66
- COVER : PA66



MODEL NO.	TSH-3776	TSH-3775A	TSH-3775B	TSH-3774
SCHEMATIC				

**SPECIFICATIONS**

- 1 Insulation resistance of adjacent open terminals shall not be less than 50 Megohms when measured with 500 Volts resistance meter.
- 2 Connector shall withstand 500 Volts (RMS) between adjacent open terminal for one minute.
- 3 Contact resistance of normally closed terminals shall not exceed 0.03 ohms when measured at a current of one Ampere by Voltage drop method.
- 4 Connector shall withstand 5,000 cycles of insertions and withdrawal with testing plug , contact resistance shall not exceed 0.1 ohm.



DESIGN	J.X.KUANG	DATE	7-10-2003	SCALE	4:1
DRAWING	J.X.KUANG	DATE	7-10-2003	MATERIAL	*
PART NAME	3.5mm STEREO JACK	TOLERANCE UNLESS	0.0±0.2	CHECK	
PART NO.	TSH-377	OTHERWISE SPECIFIED:	0.00±0.1 0.000±0.05	DATE	
		UNIT:	mm	DWG. NO.	TZ\SH377-PA66
				DATE	
				SHEET	