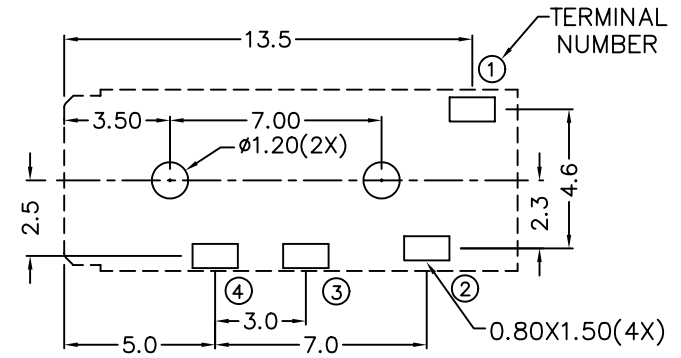
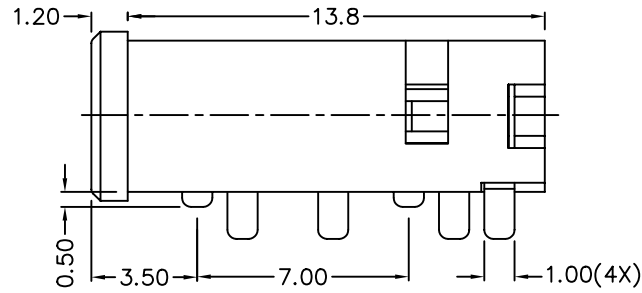
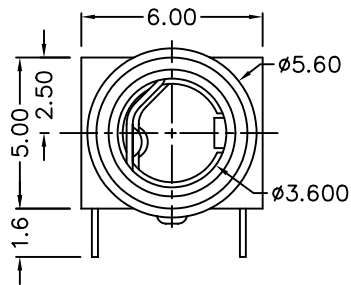
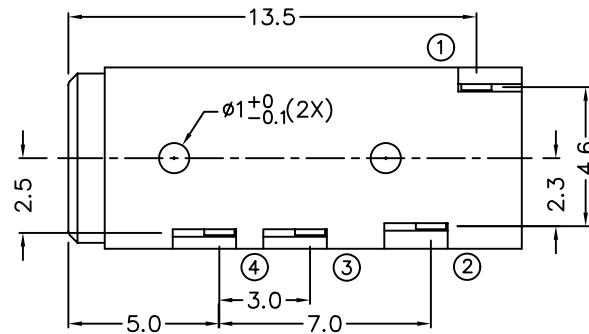
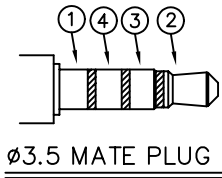


C		B		A	
ZONE	SYMBOL	REVISION		APPROVAL	DATE
		DWG. NO. TO REVISE		S.T.CHU	7-10-2003



PCB LAYOUT  
(BOTTOM VIEW)



\* MATERIAL

- TERMINAL 1 : COPPER ALLOY
- TERMINAL 2 : COPPER ALLOY
- TERMINAL 3 : COPPER ALLOY
- TERMINAL 4 : COPPER ALLOY
- HOUSING : PA66

MODEL NO.	TSH-3744	TSH-3743
SCHEMATIC		

SPECIFICATIONS

- 1 Insulation resistance of adjacent open terminals shall not be less than 50 Megohms when measured with 500 Volts resistance meter.
- 2 Connector shall withstand 500 Volts (RMS) between adjacent open terminal for one minute.
- 3 Contact resistance of normally closed terminals shall not exceed 0.03 ohms when measured at a current of one Ampere by Voltage drop method.
- 4 Connector shall withstand 5,000 cycles of insertions and withdrawal with testing plug , contact resistance shall not exceed 0.1 ohm.



DESIGN	K.Y.AU-YEUNG	DATE	7-10-2003	SCALE	4:1
DRAWING	K.Y.AU-YEUNG	DATE	7-10-2003	MATERIAL	*
PART NAME	3.5mm STEREO JACK	TOLERANCE UNLESS	0.0±0.2	CHECK	DATE
PART NO.	TSH-374	OTHERWISE SPECIFIED:	0.00±0.1 0.000±0.05	APPROVAL	DATE
		UNIT:	mm		DWG. NO. TZ\SH374-PA66
					SHEET