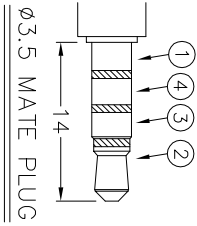
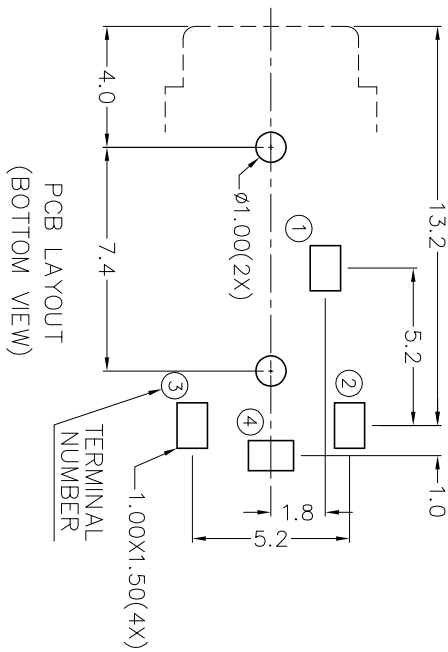
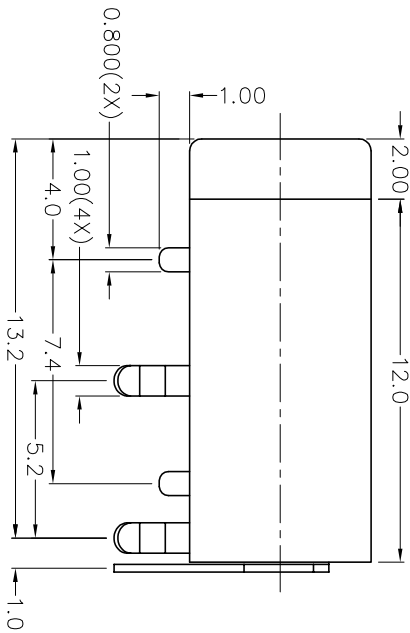
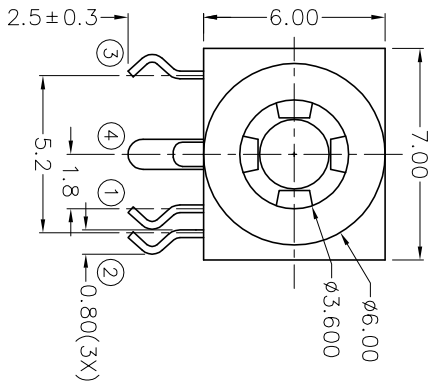
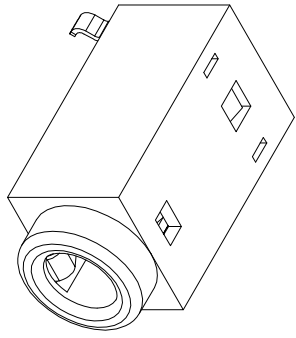


RoHS
Compliant

C		B		A	
ZONE	SYMBOL	REVISION	APPROVAL	DATE	
		ADD RoHS Compliant	J.X.KUANG	1-8-2006	



MODEL NO.	TSH-3724	TSH-3723
SCHEMATIC		

* MATERIAL

TERMINAL 1 : COPPER ALLOY
 TERMINAL 2 : COPPER ALLOY
 TERMINAL 3 : COPPER ALLOY
 TERMINAL 4 : COPPER ALLOY
 HOUSING : PBT

		Technology Profession Service	
PART NAME	3.5mm STEREO JACK	TOLERANCE UNLESS	0.0±0.2
PART NO.	TSH-3722	OTHERWISE SPECIFIED:	0.00±0.1
			0.000±0.05
		UNIT:	mm
		DESIGN	K.Y.AU-YEUNG
		DRAWING	T.Y.LI
		DATE	7-10-2003
		DATE	1-8-2006
		DATE	
		DATE	
		SCALE	4:1
		MATERIAL	*
		DWG. NO.	ITZ\SH372-PBT/B
		SHEET	