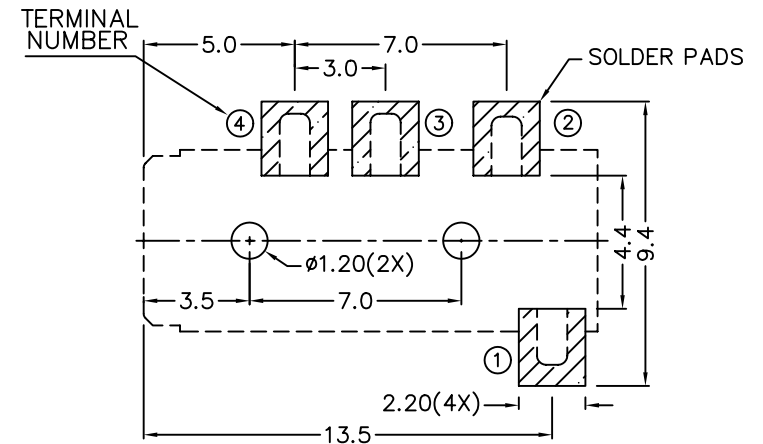
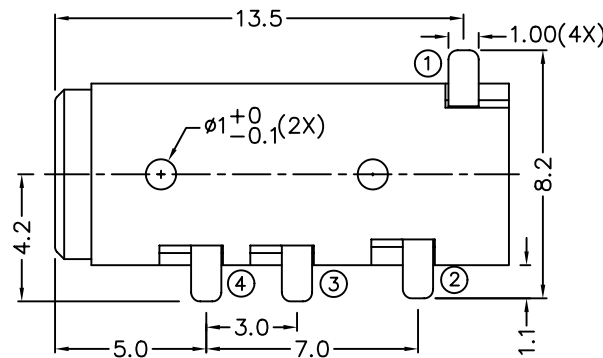
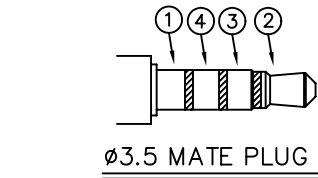
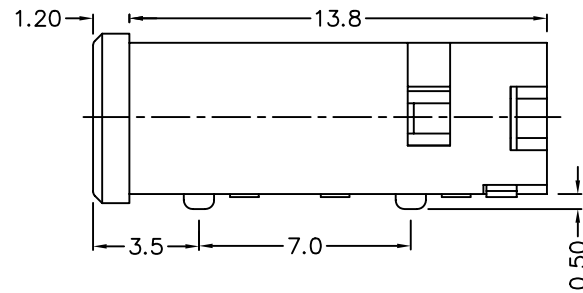
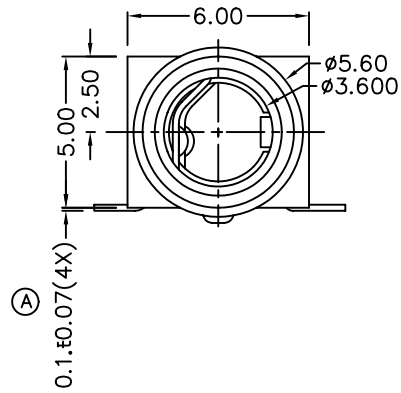


ZONE	SYMBOL	REVISION	APPROVAL	DATE
F2	(A)	DIM MODIFIED	S.T.CHU	3-5-2004



RECOMMENDED  
SOLDER PAD LAYOUT

\* MATERIAL

- TERMINAL 1 : COPPER ALLOY
- TERMINAL 2 : COPPER ALLOY
- TERMINAL 3 : COPPER ALLOY
- TERMINAL 4 : COPPER ALLOY
- HOUSING : PA6T

MODEL NO.	TSH-3714	TSH-3713
SCHEMATIC		

SPECIFICATIONS

- 1 Insulation resistance of adjacent open terminals shall not be less than 50 Megohms when measured with 500 Volts resistance meter.
- 2 Connector shall withstand 500 Volts (RMS) between adjacent open terminal for one minute.
- 3 Contact resistance of normally closed terminals shall not exceed 0.03 ohms when measured at a current of one Ampere by Voltage drop method.
- 4 Connector shall withstand 5,000 cycles of insertions and withdrawal with testing plug , contact resistance shall not exceed 0.1 ohm.



DESIGN	J.JIANG	DATE	3-5-2004	SCALE	4:1
DRAWING	J.JIANG	DATE	3-5-2004	MATERIAL	*
CHECK		DATE		DWG. NO.	TZ\SH371-PA6T/B
APPROVAL		DATE		SHEET	

PART NAME	3.5mm SMD STEREO JACK	TOLERANCE UNLESS	0.0±0.2	UNIT:	
PART NO.	TSH-371	OTHERWISE SPECIFIED:	0.00±0.1 0.000±0.05	mm	

F

E

D

C

B

A DCF-04/A