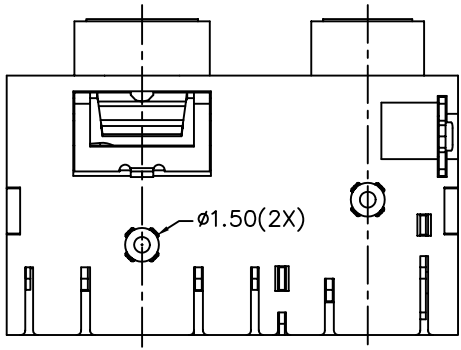
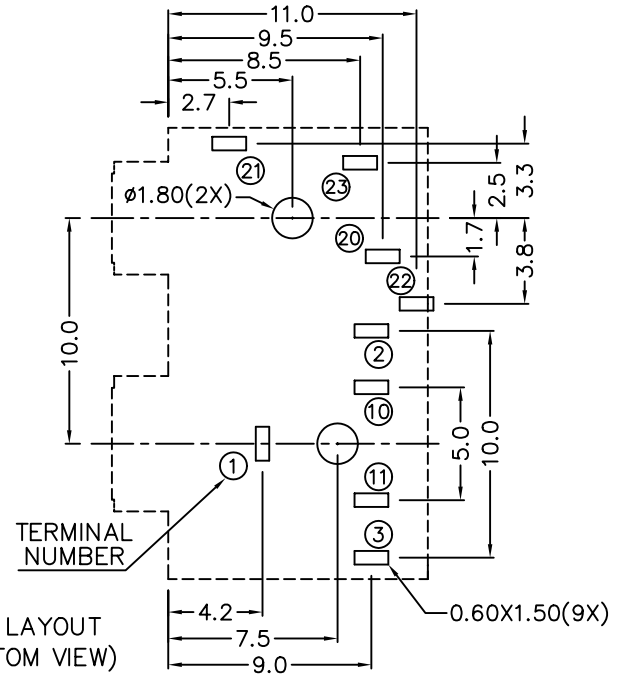
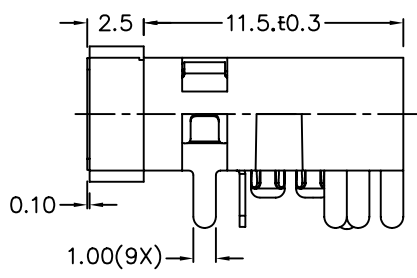
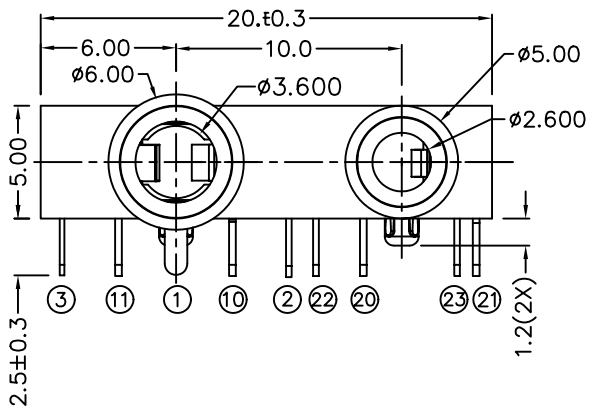


F E D C B A

ZONE	SYMBOL	REVISION	APPROVAL	DATE
		DWG. NO. TO REVISE	S.T.CHU	7-10-2003



- * MATERIAL**
- TERMINAL 1 : COPPER ALLOY
 - TERMINAL 2 : COPPER ALLOY
 - TERMINAL 3 : COPPER ALLOY
 - TERMINAL 10 : BRASS
 - TERMINAL 11 : BRASS
 - TERMINAL 20 : BRASS
 - TERMINAL 21 : COPPER ALLOY
 - TERMINAL 22 : COPPER ALLOY
 - TERMINAL 23 : COPPER ALLOY
 - BUSHING : BRASS
 - HOUSING : PA66

MODEL NO.	TSH-3705-4	TSH-3705-3A	TSH-3703A-4	TSH-3703A-3A
ø3.5				
SCHEMATIC				
ø2.5				
SCHEMATIC				

SPECIFICATIONS

- 1 Insulation resistance of adjacent open terminals shall not be less than 50 Megohms when measured with 500 Volts resistance meter.
- 2 Connector shall withstand 500 Volts (RMS) between adjacent open terminal for one minute.
- 3 Contact resistance of normally closed terminals shall not exceed 0.03 ohms when measured at a current of one Ampere by Voltage drop method.
- 4 Connector shall withstand 5,000 cycles of insertions and withdrawal with testing plug , contact resistance shall not exceed 0.1 ohm.

JOYNet Enterprise Co.,Ltd. Technology Profession Service

DESIGN	J.M.KWAN	DATE	7-10-2003	SCALE	3:1
DRAWING	J.M.KWAN	DATE	7-10-2003	MATERIAL	*
CHECK		DATE		DWG. NO.	DZ\SH370-PA66
APPROVAL		DATE		SHEET	

PART NAME	3.5&2.5mm COMBINATION JACK	TOLERANCE UNLESS	0.0±0.2	UNIT:	mm
PART NO.	TSH-370	OTHERWISE SPECIFIED:	0.00±0.1 0.000±0.05		

F E D C B A DCF-04/A