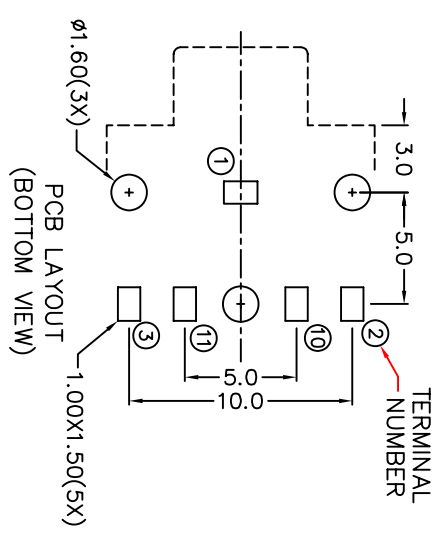
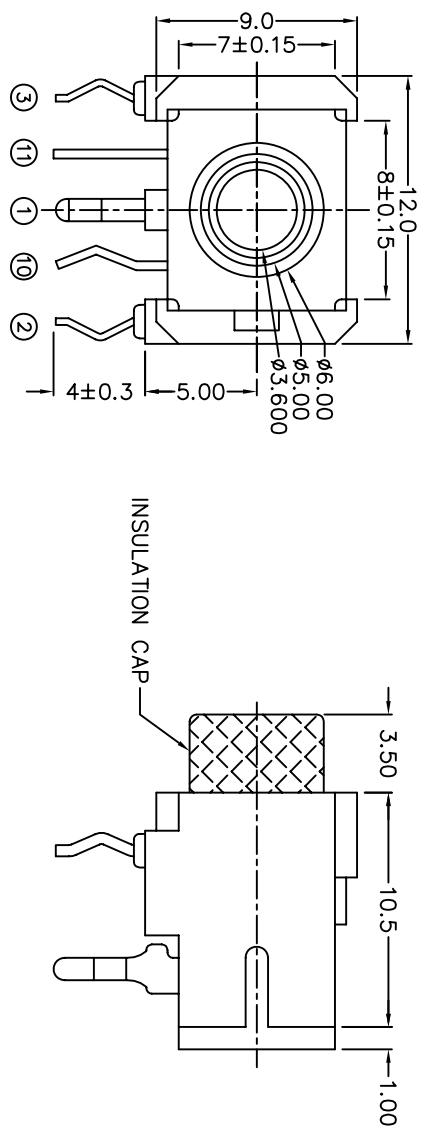


C		B		A	
ZONE	SYMBOL	REVISION	APPROVAL	DATE	
		DWG. NO. TO REVISE	S.T.CHU	7-10-2003	



MODEL NO.	TSH-3685	TSH-3684A	TSH-3684B	TSH-3683	TSH-3683A
SCHEMATIC					

- * MATERIAL
- TERMINAL 1 : COLD ROLLED STEEL
 - TERMINAL 2 : COPPER ALLOY
 - TERMINAL 3 : COPPER ALLOY
 - TERMINAL 10 : BRASS
 - TERMINAL 11 : BRASS
 - BUSHING : BRASS
 - SPRING : BRASS
 - HOUSING : STAINLESS STEEL
 - COVER : PBT
 - INSULATION CAP : PBT

SPECIFICATIONS

- 1 Insulation resistance of adjacent open terminals shall not be less than 50 Megohms when measured with 500 Volts resistance meter.
- 2 Connector shall withstand 500 Volts (RMS) between adjacent open terminal for one minute.
- 3 Contact resistance of normally closed terminals shall not exceed 0.03 ohms when measured at a current of one Ampere by Voltage drop method.
- 4 Connector shall withstand 5,000 cycles of insertions and withdrawal with testing plug , contact resistance shall not exceed 0.1 ohm.



PART NAME	3.5mm STEREO JACK	TOLERANCE UNLESS	0.0±0.2	UNIT:		DESIGN	J.M.KWAN	DATE	7-10-2003	SCALE	3:1
PART NO.	TSH-368	OTHERWISE SPECIFIED:	0.00±0.1	mm		CHECK	J.M.KWAN	DATE	7-10-2003	MATERIAL	*
			0.000±0.05			APPROVAL		DATE		DWG. NO.	TZ\SH368-PBT
										SHEET	

F E D C B A DCF-04/A