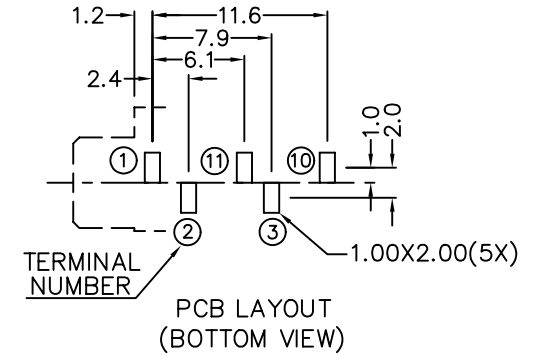
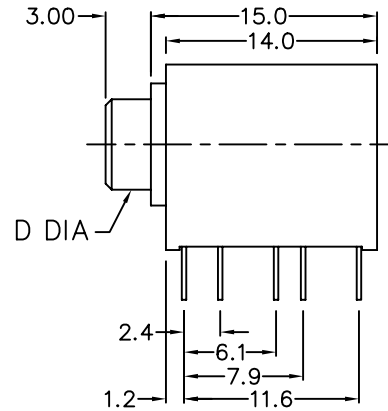
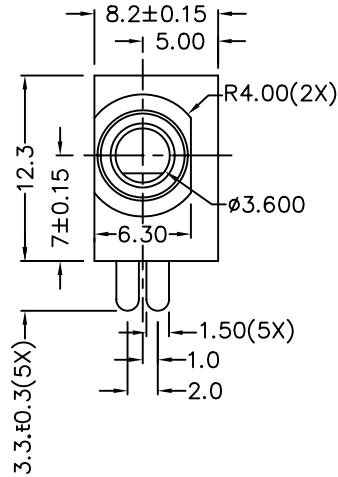
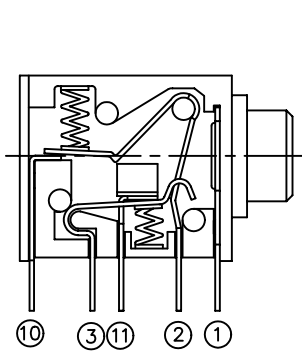


C		B		A	
ZONE	SYMBOL	REVISION	APPROVAL	DATE	
		DWG. NO. TO REVISE	S.T.CHU	7-10-2003	



*** MATERIAL**

- TERMINAL 1 : BRASS
- TERMINAL 2 : BRASS
- TERMINAL 3 : BRASS
- TERMINAL 10 : BRASS
- TERMINAL 11 : BRASS
- BUSHING : BRASS
- SPRING : STAINLESS STEEL
- HOUSING : PBT
- COVER : PBT

THREADED	M6X0.5	MODEL NO.	TSH-3665N	TSH-3664AN	TSH-3664BN	TSH-3663N	TSH-3663AN
FLASHED	Ø6.0	MODEL NO.	TSH-3665F	TSH-3664AF	TSH-3664BF	TSH-3663F	TSH-3663AF
D DIA		SCHEMATIC					

SPECIFICATIONS

- 1 Insulation resistance of adjacent open terminals shall not be less than 50 Megohms when measured with 500 Volts resistance meter.
- 2 Connector shall withstand 500 Volts (RMS) between adjacent open terminal for one minute.
- 3 Contact resistance of normally closed terminals shall not exceed 0.03 ohms when measured at a current of one Ampere by Voltage drop method.
- 4 Connector shall withstand 5,000 cycles of insertions and withdrawal with testing plug , contact resistance shall not exceed 0.1 ohm.

					DESIGN	T.Y.LI	DATE	7-10-2003	SCALE	2:1
					DRAWING	T.Y.LI	DATE	7-10-2003	MATERIAL	*
PART NAME	3.5mm STEREO JACK		TOLERANCE UNLESS	0.0±0.2	UNIT:	CHECK	DATE	DWG. NO.	TZ\SH366-PBT	
PART NO.	TSH-366		OTHERWISE SPECIFIED:	0.00±0.1 0.000±0.05		APPROVAL	DATE	SHEET		