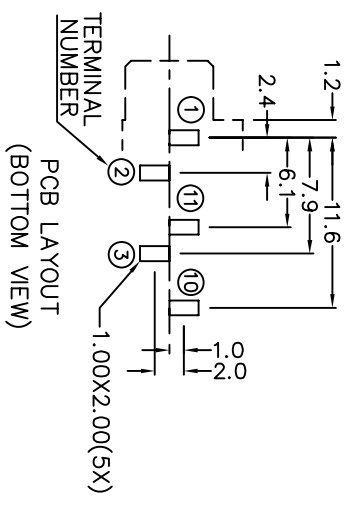
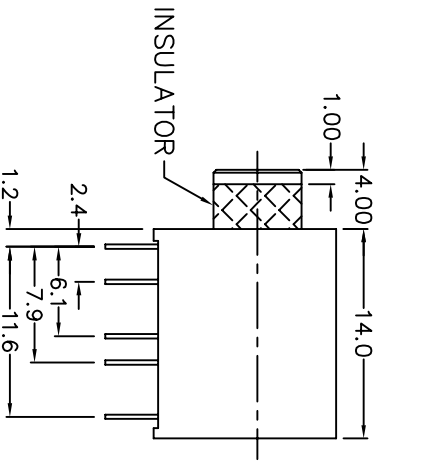
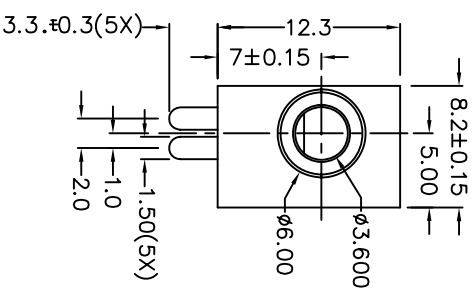
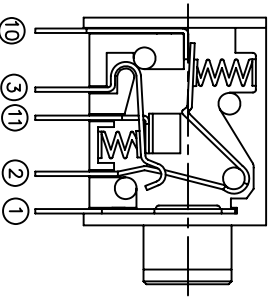


C		B		A	
ZONE	SYMBOL	REVISION	APPROVAL	DATE	
		DWG. NO. TO REVISE	S.T.CHU	7-10-2003	



MODEL NO.	TSH-3655	TSH-3654A	TSH-3654B	TSH-3653	TSH-3653A
SCHEMATIC					

SPECIFICATIONS

- 1 Insulation resistance of adjacent open terminals shall not be less than 50 Megohms when measured with 500 Volts resistance meter.
- 2 Connector shall withstand 500 Volts (RMS) between adjacent open terminal for one minute.
- 3 Contact resistance of normally closed terminals shall not exceed 0.03 ohms when measured at a current of one Ampere by Voltage drop method.
- 4 Connector shall withstand 5,000 cycles of insertions and withdrawal with testing plug, contact resistance shall not exceed 0.1 ohm.



PART NAME	3.5mm STEREO JACK	TOLERANCE UNLESS	0.0±0.2	UNIT:	mm	DESIGN	T.Y.LI	DATE	7-10-2003	SCALE	2:1
PART NO.	TSH-365	OTHERWISE SPECIFIED:	0.00±0.1			CHECK	T.Y.LI	DATE	7-10-2003	MATERIAL	*
			0.000±0.05			APPROVAL		DATE		DWG. NO.	TZ\SH365-PBT
								DATE		SHEET	

F E D C B A DCF-04/A