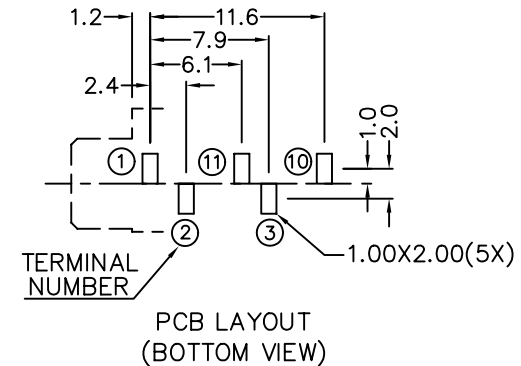
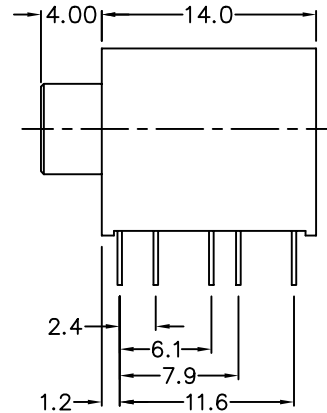
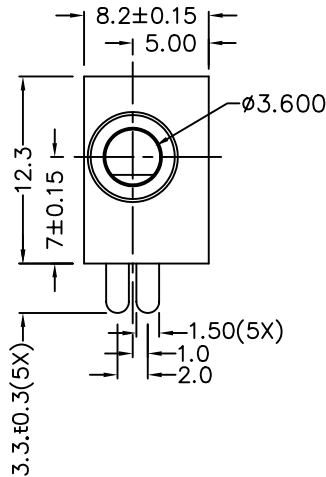
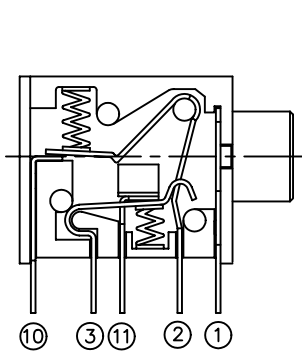


ZONE	SYMBOL	REVISION	APPROVAL	DATE
		DWG. NO. TO REVISE	S.T.CHU	7-10-2003



PLASTIC BUSHING

* MATERIAL

- TERMINAL 1 : COPPER ALLOY
- TERMINAL 2 : BRASS
- TERMINAL 3 : BRASS
- TERMINAL 10 : BRASS
- TERMINAL 11 : BRASS
- SPRING : STAINLESS STEEL
- HOUSING : PBT
- COVER : PBT

MODEL NO.	TSH-3635	TSH-3634A	TSH-3634B	TSH-3633	TSH-3633A
SCHEMATIC					

SPECIFICATIONS

- 1 Insulation resistance of adjacent open terminals shall not be less than 50 Megohms when measured with 500 Volts resistance meter.
- 2 Connector shall withstand 500 Volts (RMS) between adjacent open terminal for one minute.
- 3 Contact resistance of normally closed terminals shall not exceed 0.03 ohms when measured at a current of one Ampere by Voltage drop method.
- 4 Connector shall withstand 5,000 cycles of insertions and withdrawal with testing plug , contact resistance shall not exceed 0.1 ohm.

				DESIGN	T.Y.LI	DATE	7-10-2003	SCALE	2:1
				DRAWING	T.Y.LI	DATE	7-10-2003	MATERIAL	*
PART NAME	3.5mm STEREO JACK	TOLERANCE UNLESS	0.0±0.2	UNIT:	CHECK	DATE		DWG. NO.	TZ\SH363-PBT
PART NO.	TSH-363	OTHERWISE SPECIFIED:	0.00±0.1 0.000±0.05		APPROVAL	DATE		SHEET	