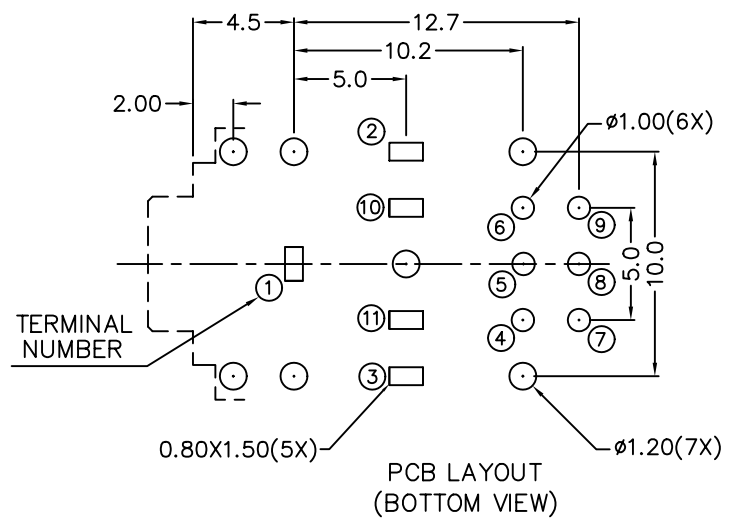
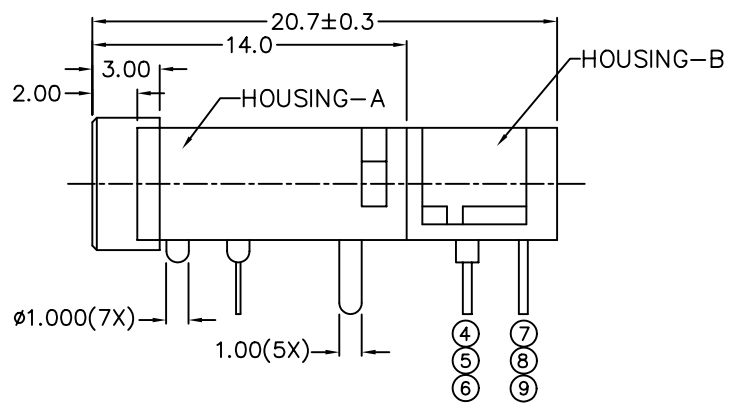
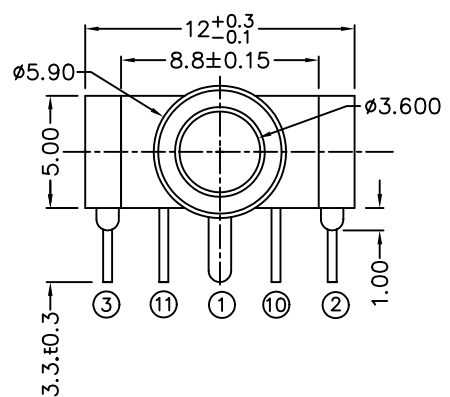


ZONE	SYMBOL	REVISION	APPROVAL	DATE
		DWG. NO. TO REVISE	S.T.CHU	6-10-2003



***MATERIAL**

- TERMINAL 1 : COPPER ALLOY
- TERMINAL 2 : COPPER ALLOY
- TERMINAL 3 : COPPER ALLOY
- TERMINAL 10 : BRASS
- TERMINAL 11 : BRASS
- TERMINAL 4,5,6,7,8,9 : BRASS
- BUSHING : BRASS
- HOUSING-A : PBT
- HOUSING-B : PBT
- INSULATOR : PBT
- PIN BOARD : RESIN LAMINATE
- CONTACT CLIP : C5210R-EH AG CLAD

MODEL NO.	TSH-3615-22	TSH-3614A-22	TSH-3614B-22	TSH-3613-22	TSH-3613A-22	TSH-3612-22
SCHMATIC						

SPECIFICATIONS

- 1 Insulation resistance of adjacent open terminals shall not be less than 50 Megohms when measured with 500 Volts resistance meter.
- 2 Connector shall withstand 500 Volts (RMS) between adjacent open terminal for one minute.
- 3 Contact resistance of normally closed terminals shall not exceed 0.03 ohms when measured at a current of one Ampere by Voltage drop method.
- 4 Connector shall withstand 5,000 cycles of insertions and withdrawal with testing plug , contact resistance shall not exceed 0.1 ohm.



PART NAME	3.5mm STEREO JACK	TOLERANCE UNLESS	0.0±0.2	UNIT:	mm	DESIGN	J.M.KWAN	DATE	6-10-2003	SCALE	3:1
PART NO.	TSH-361-22	OTHERWISE SPECIFIED:	0.00±0.1 0.000±0.05			DRAWING	J.M.KWAN	DATE	6-10-2003	MATERIAL	*
						CHECK		DATE		DWG. NO.	TZ\SH361-22-PBT
						APPROVAL		DATE		SHEET	