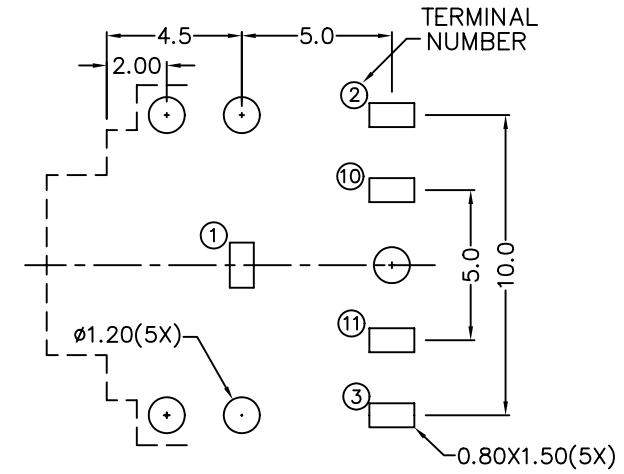
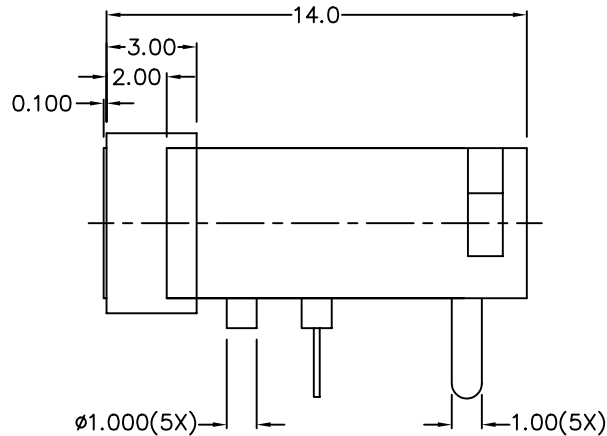
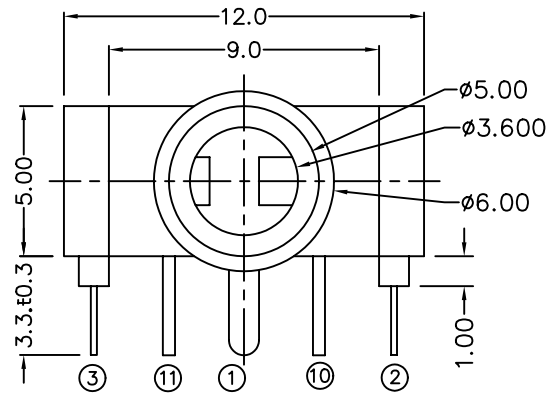


C		B		A	
ZONE	SYMBOL	REVISION		APPROVAL	DATE
		DWG. NO. TO REVISE		S.T.CHU	6-10-2003



PCB LAYOUT
(BOTTOM VIEW)

MODEL NO.	TSH-3595	TSH-3594A	TSH-3594B	TSH-3593	TSH-3593A	TSH-3592
SCHEMATIC						

- *MATERIAL**
- TERMINAL 1 : COPPER ALLOY
 - TERMINAL 2 : COPPER ALLOY
 - TERMINAL 3 : COPPER ALLOY
 - TERMINAL 10 : BRASS
 - TERMINAL 11 : BRASS
 - BUSHING : BRASS
 - HOUSING : PBT

SPECIFICATIONS

- 1 Insulation resistance of adjacent open terminals shall not be less than 50 Megohms when measured with 500 Volts resistance meter.
- 2 Connector shall withstand 500 Volts (RMS) between adjacent open terminal for one minute.
- 3 Contact resistance of normally closed terminals shall not exceed 0.03 ohms when measured at a current of one Ampere by Voltage drop method.
- 4 Connector shall withstand 5,000 cycles of insertions and withdrawal with testing plug , contact resistance shall not exceed 0.1 ohm.

				DESIGN	J.M.KWAN	DATE	6-10-2003	SCALE	4:1		
				DRAWING	J.M.KWAN	DATE	6-10-2003	MATERIAL	*		
PART NAME	3.5mm STEREO JACK	TOLERANCE UNLESS	0.0±0.2	UNIT:	mm	CHECK		DATE		DWG. NO.	TZ\SH359-PBT
PART NO.	TSH-359	OTHERWISE SPECIFIED:	0.00±0.1			APPROVAL		DATE		SHEET	