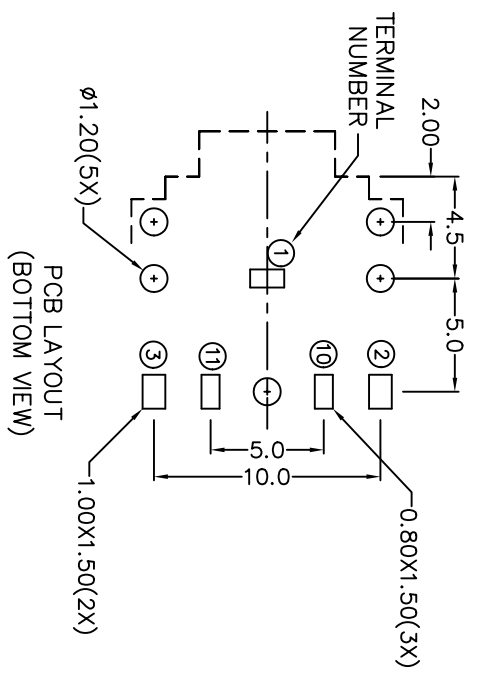
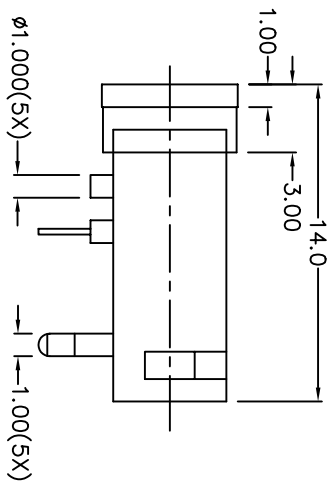
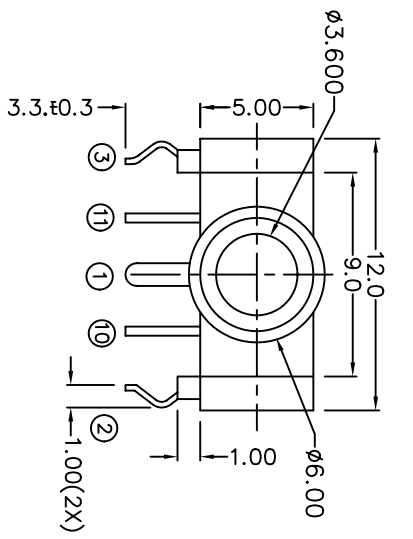


C		B		A	
ZONE	SYMBOL	REVISION	APPROVAL	DATE	
		DWG. NO. TO REVISE	S.T.CHU	6-10-2003	



MODEL NO.	TSH-3515-2	TSH-3514A-2	TSH-3514B-2	TSH-3513-2	TSH-3513A-2	TSH-3512-2
SCHEMATIC						

- \*MATERIAL
- TERMINAL 1 : COPPER ALLOY
  - TERMINAL 2 : COPPER ALLOY
  - TERMINAL 3 : COPPER ALLOY
  - TERMINAL 10 : BRASS
  - TERMINAL 11 : BRASS
  - BUSHING : BRASS
  - HOUSING : PBT

**SPECIFICATIONS**

- 1 Insulation resistance of adjacent open terminals shall not be less than 50 Megohms when measured with 500 Volts resistance meter.
- 2 Connector shall withstand 500 Volts (RMS) between adjacent open terminal for one minute.
- 3 Contact resistance of normally closed terminals shall not exceed 0.03 ohms when measured at a current of one Ampere by Voltage drop method.
- 4 Connector shall withstand 5,000 cycles of insertions and withdrawal with testing plug, contact resistance shall not exceed 0.1 ohm.

PART NAME		3.5mm STEREO JACK		TOLERANCE UNLESS		0.0±0.2		UNIT:		mm		DESIGN		J.M.KWAN		DATE		6-10-2003		SCALE		3:1	
PART NO.		TSH-351-2		OTHERWISE SPECIFIED:		0.000±0.05		DRAWING		J.M.KWAN		CHECK		DATE		6-10-2003		MATERIAL		DWG. NO.		TZ\SH351-2-PBT	
F		E		D		C		B		A		DCF-04/A											

