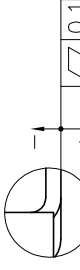
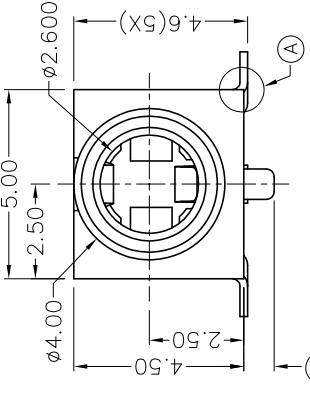


RoHS
Compliant

| | | | | |
|------|--------|---------------------------------|-----------|----------|
| ZONE | SYMBOL | REVISION | APPROVAL | DATE |
| | | ADDED INDICATION OF COPLANARITY | J.X.KUANG | 2-1-2009 |
| | | | | |

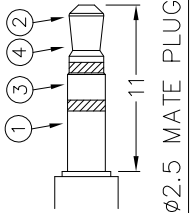


A DETAIL COPLANARITY

*** MATERIAL**

- TERMINAL 1 : COPPER ALLOY
- TERMINAL 2 : COPPER ALLOY
- TERMINAL 3 : COPPER ALLOY
- TERMINAL 4 : COPPER ALLOY
- HOUSING : PA6T

| | |
|-----------|----------|
| MODEL NO. | TG-4014D |
| SCHEMATIC | |



RECOMMENDED
SOLDER PAD LAYOUT

JOYNet Enterprise Co., Ltd.

| | | | | | | | | | |
|-----------|-----------------------|----------------------|------------------------|----------|--------|------|----------|----------|------------------|
| PART NAME | 2.5mm SMD STEREO JACK | TOLERANCE UNLESS | 0.0±0.2 | DESIGN | T.Y.LI | DATE | 7-2-2007 | SCALE | 5:1 |
| PART NO. | TG-401D | OTHERWISE SPECIFIED: | 0.00±0.1 0.000±0.05 | DRAWING | T.Y.LI | DATE | 2-1-2009 | MATERIAL | * |
| | | | | CHECK | | DATE | | DWG. NO. | TZ\TG401D-PA6T/B |
| | | | | APPROVAL | | DATE | | SHEET | |