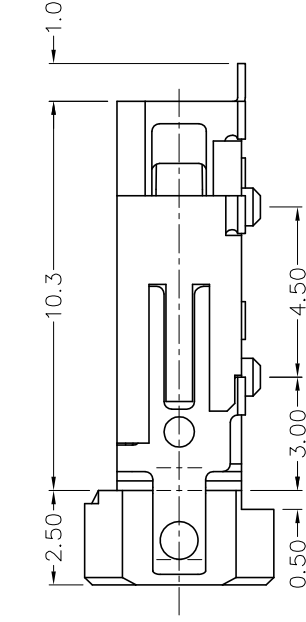
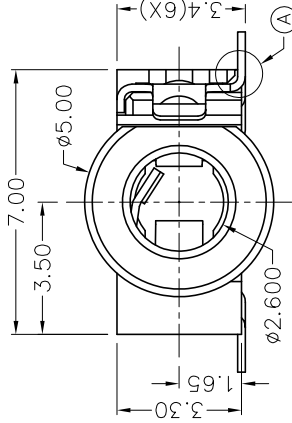
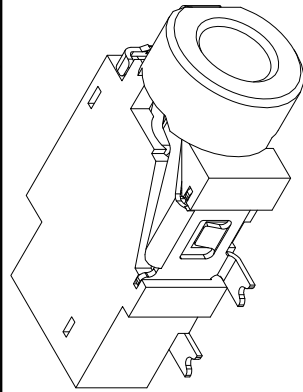
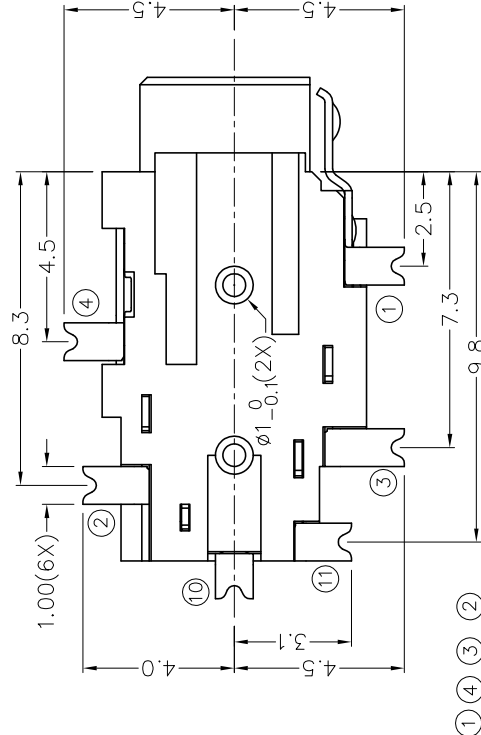


**RoHS**  
Compliant

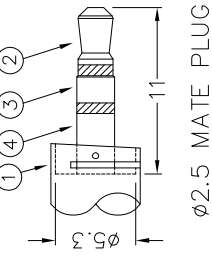
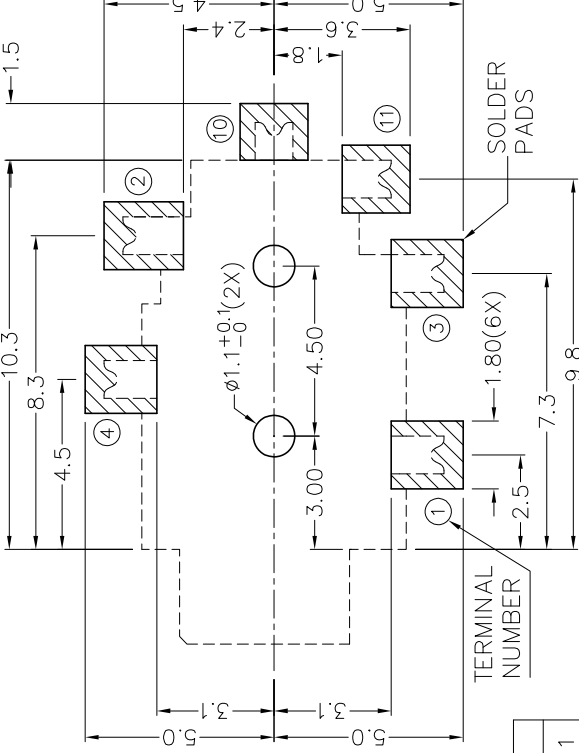


A DETAIL COPLANARITY



**\* MATERIAL**

- TERMINAL 1 : COPPER ALLOY
- TERMINAL 2 : COPPER ALLOY
- TERMINAL 3 : BERYLLIUM COPPER
- TERMINAL 4 : COPPER ALLOY
- TERMINAL 10: COPPER ALLOY
- TERMINAL 11: COPPER ALLOY
- HOUSING : PA6T



2.5 MATE PLUG

MODEL NO.	TG-2996D	TG-2995AD	TG-2995BD	TG-2994D
SCHEMATIC				

RECOMMENDED  
SOLDER PAD LAYOUT

**JOYNet Enterprise Co., Ltd.**

DESIGN	G.P.YI	DATE	8-1-2007	SCALE	5:1
DRAWING	T.Y.LI	DATE	30-12-2008	MATERIAL	*
CHECK		DATE		DWG. NO.	ITZ\TG299D-PA6T/B
APPROVAL		DATE		SHEET	

PART NAME	2.5mm SMD STEREO JACK	TOLERANCE UNLESS	0.0±0.2
PART NO.	TG-299D	OTHERWISE SPECIFIED:	0.00±0.1 0.000±0.05

UNIT:	mm
-------	----