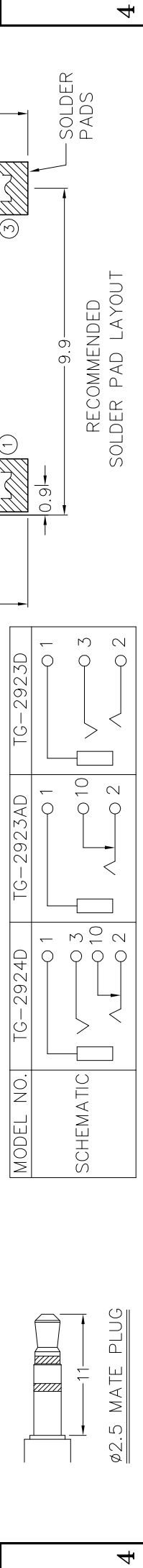
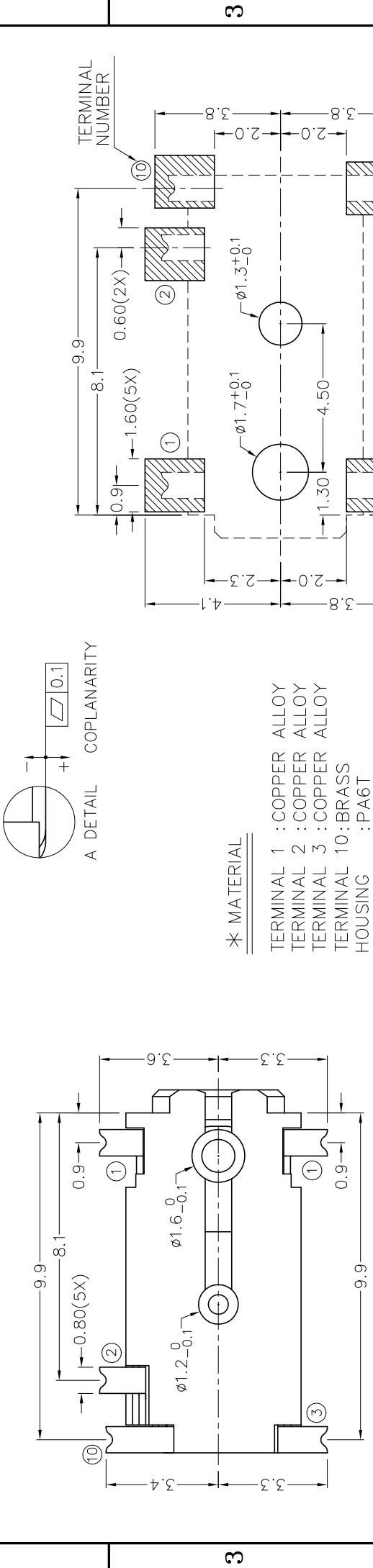
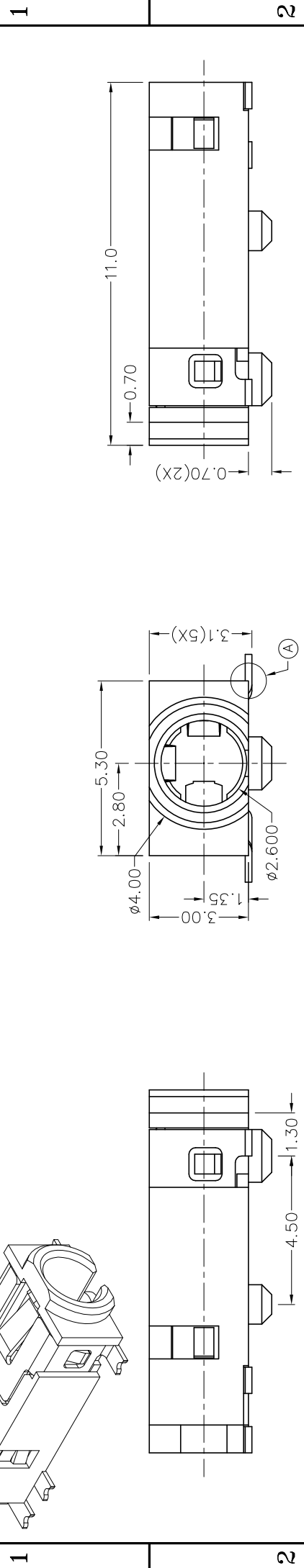


A		B		C		D		E		F	
APPROVAL	DATE	REVISION	SYMBOL	ZONE	ADDED INDICATION OF COPLANARITY	ROHS COMPLIANT					
J.X.KUANG	25-12-2008										

A		B		C		D		E		F	
APPROVAL	DATE	REVISION	SYMBOL	ZONE	ADDED INDICATION OF COPLANARITY	ROHS COMPLIANT					
J.X.KUANG	25-12-2008										



DESIGN		T.Y.LI	DATE	10-8-2005	SCALE	6:1
DRAWING		T.Y.LI	DATE	25-12-2008	MATERIAL	*
CHECK			DATE		DWG. NO.	TZ\TG292D-PA6T/C
APPROVAL			DATE		SHEET	

**JOYNet Enterprise Co., Ltd.**

PART NAME: 2.5mm SMD STEREO JACK  
 TOLERANCE UNLESS 0.0±0.2  
 PART NO.: TG-292D  
 OTHERWISE SPECIFIED: 0.00±0.05 mm

UNIT: mm  
 HOUSING: PA6T

- \* MATERIAL
- TERMINAL 1 : COPPER ALLOY
  - TERMINAL 2 : COPPER ALLOY
  - TERMINAL 3 : COPPER ALLOY
  - TERMINAL 10: BRASS
  - HOUSING : PA6T

RECOMMENDED  
SOLDER PAD LAYOUT