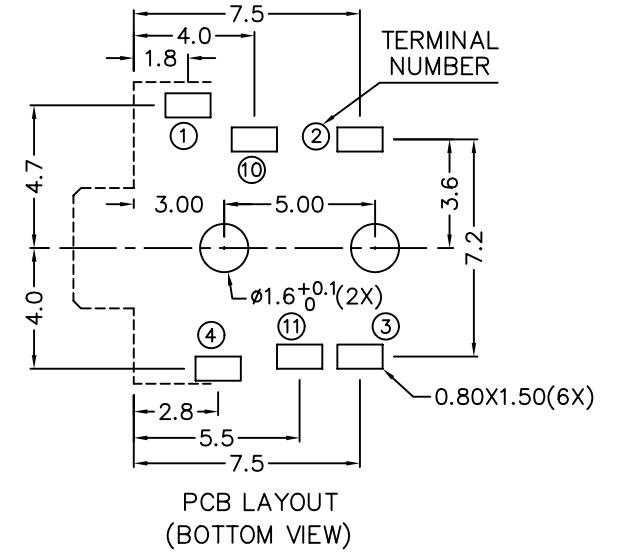
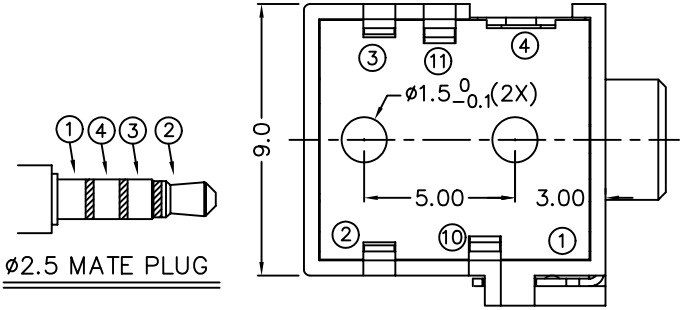
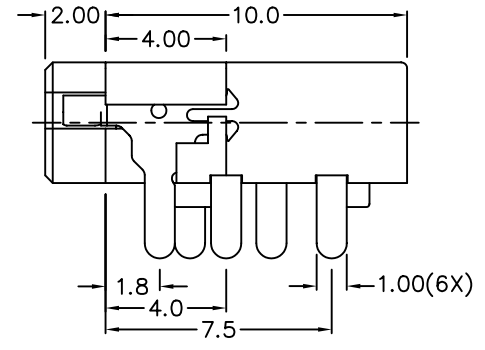
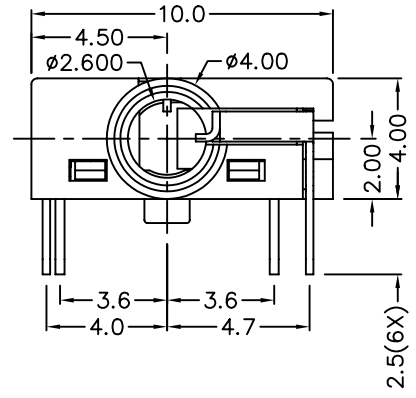
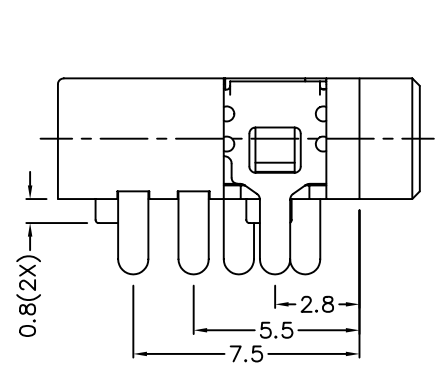


ZONE	SYMBOL	REVISION	APPROVAL	DATE



*** MATERIAL**
 TERMINAL 1 : COPPER ALLOY
 TERMINAL 2 : COPPER ALLOY
 TERMINAL 3 : COPPER ALLOY
 TERMINAL 4 : COPPER ALLOY
 TERMINAL 10 : BRASS
 TERMINAL 11 : BRASS
 HOUSING : PA66
 COVER : PA66

MODEL NO.	TG-2716	TG-2715A	TG-2715B	TG-2714
SCHMATIC				

SPECIFICATIONS

- 1 Insulation resistance of adjacent open terminals shall not be less than 50 Megohms when measured with 500 Volts resistance meter.
- 2 Connector shall withstand 500 Volts (RMS) between adjacent open terminal for one minute.
- 3 Contact resistance of normally closed terminals shall not exceed 0.03 ohms when measured at a current of one Ampere by Voltage drop method.
- 4 Connector shall withstand 5,000 cycles of insertions and withdrawal with testing plug , contact resistance shall not exceed 0.1 ohm.

Technology Profession Service				DESIGN	T.Y.LI	DATE	19-12-2003	SCALE	4:1
				DRAWING	T.Y.LI	DATE	19-12-2003	MATERIAL	*
PART NAME	2.5mm STEREO JACK	TOLERANCE UNLESS	0.0±0.2	UNIT:		CHECK	DATE	DWG. NO.	TZ\TG271-PA66
PART NO.	TG-271	OTHERWISE SPECIFIED:	0.00±0.1 0.000±0.05	mm		APPROVAL	DATE	SHEET	