

F

E

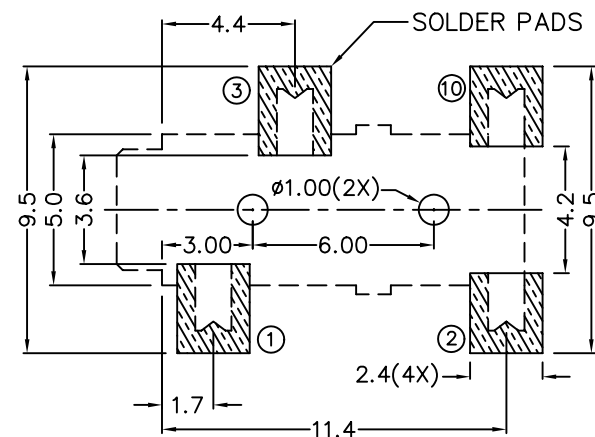
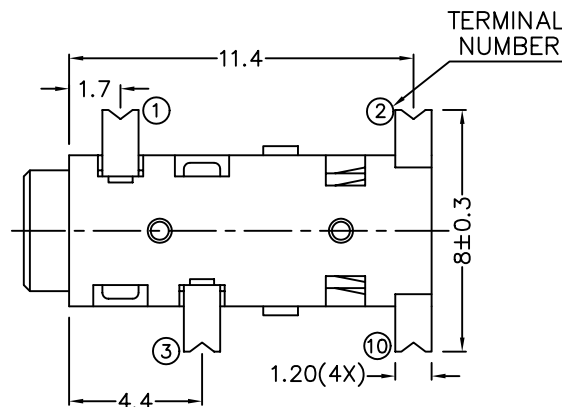
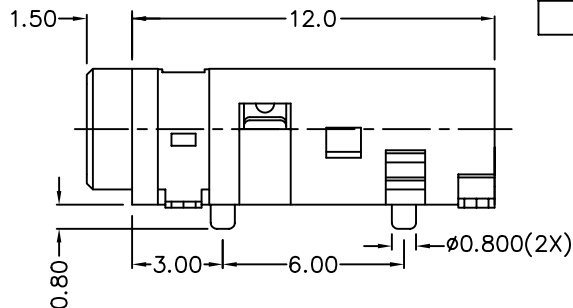
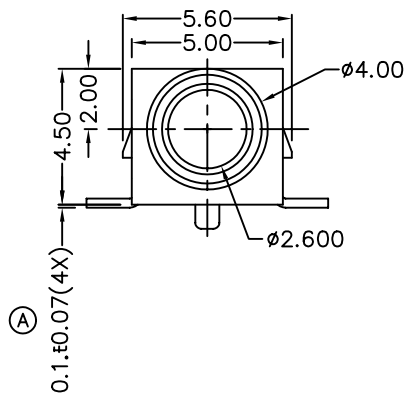
D

C

B

A

ZONE	SYMBOL	REVISION	APPROVAL	DATE
F2	(A)	DIM MODIFIED	S.T.CHU	3-5-2004
		CANCEL E. PLATING	S.T.CHU	21-4-2004



RECOMMENDED  
SOLDER PAD LAYOUT

\* MATERIAL

TERMINAL 1 : COPPER ALLOY  
 TERMINAL 2 : COPPER ALLOY  
 TERMINAL 3 : COPPER ALLOY  
 TERMINAL 10 : BRASS  
 HOUSING : PA6T

MODEL NO.	TG-2573A	TG-2573	TG-2574
SCHEMATIC			

SPECIFICATIONS

- 1 Insulation resistance of adjacent open terminals shall not be less than 50 Megohms when measured with 500 Volts resistance meter.
- 2 Connector shall withstand 500 Volts (RMS) between adjacent open terminal for one minute.
- 3 Contact resistance of normally closed terminals shall not exceed 0.03 ohms when measured at a current of one Ampere by Voltage drop method.
- 4 Connector shall withstand 5,000 cycles of insertions and withdrawal with testing plug , contact resistance shall not exceed 0.1 ohm.

JOYNet Enterprise Co.,Ltd. Technology > Profession > Service

DESIGN	J.JIANG	DATE	3-5-2004	SCALE	4:1
DRAWING	J.JIANG	DATE	3-5-2004	MATERIAL	*
PART NAME	2.5mm SMD STEREO JACK	TOLERANCE UNLESS	0.0±0.2	CHECK	DATE
PART NO.	TG-257	OTHERWISE SPECIFIED:	0.00±0.1 0.000±0.05	APPROVAL	DATE
		UNIT:	mm		DWG. NO. TZ\TG257-PA6T/C
					SHEET

F

E

D

C

B

A DCF-04/A