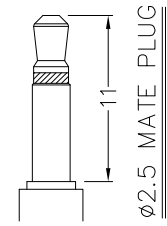
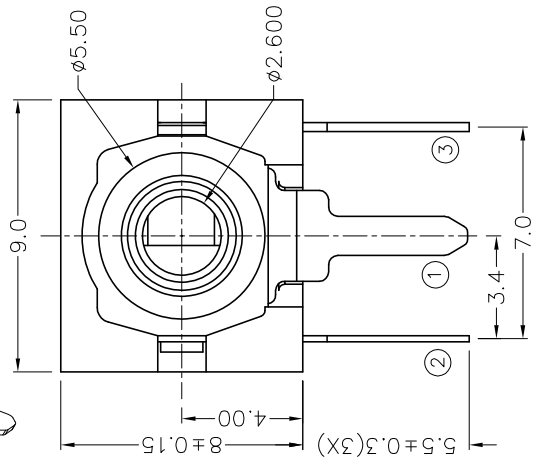
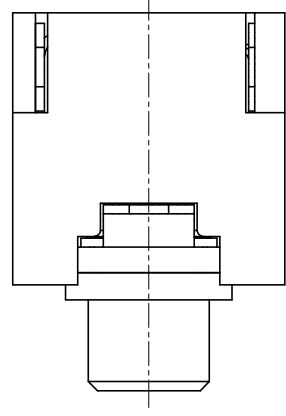
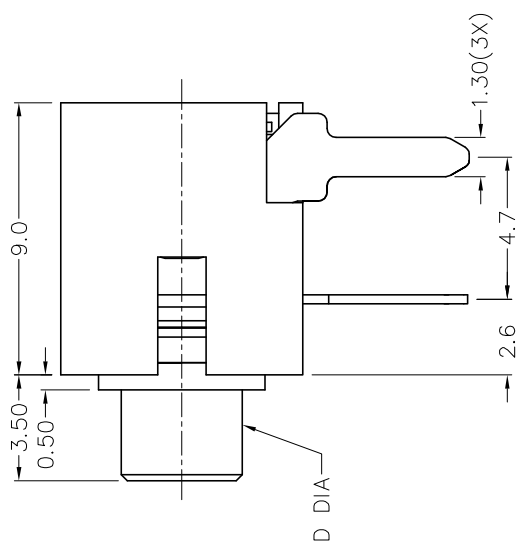
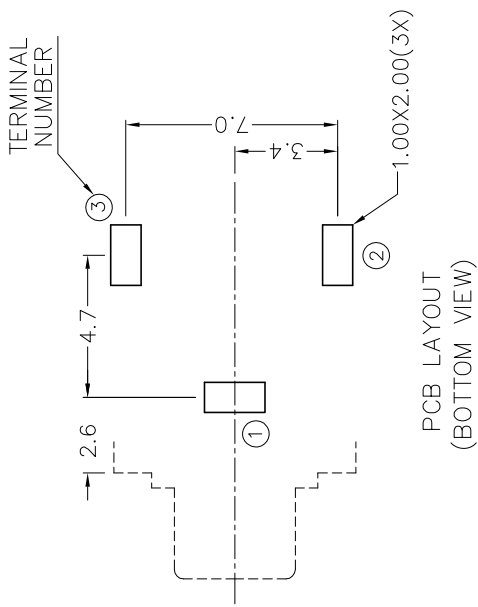


RoHS
Compliant



MODEL NO.	TG-256N	TG-256F
D DIA	THREADED	FLASHED
SCHEMATIC	M4X0.5	ø4.0
	o1	o1
	o3	o3
	o2	o2

JOYNet Enterprise Co., Ltd.

PART NAME	2.5mm PHONE JACK	TOLERANCE UNLESS	0.0±0.2	UNIT:	mm
PART NO.	TG-256	OTHERWISE SPECIFIED:	0.00±0.1		
			0.000±0.05		
DESIGN	T.Y.LI	DATE	1-3-2004	SCALE	4:1
DRAWING	L.L.ZHANG	DATE	18-9-2006	MATERIAL	*
CHECK		DATE		DWG. NO.	TZ\TC256-PBT/C
APPROVAL		DATE		SHEET	