

F

E

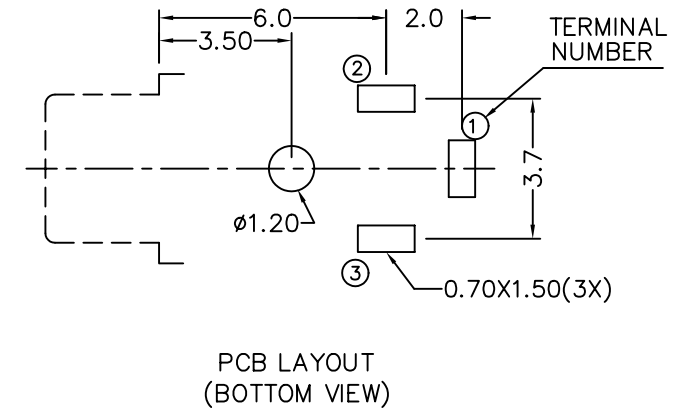
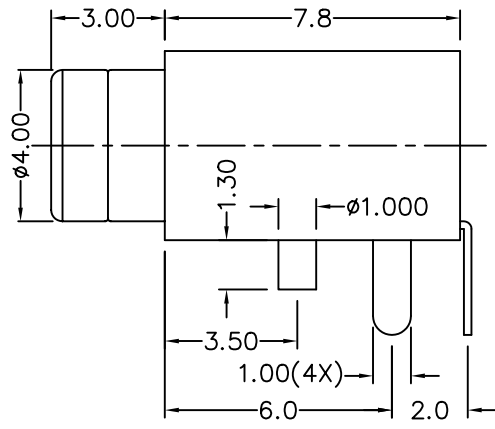
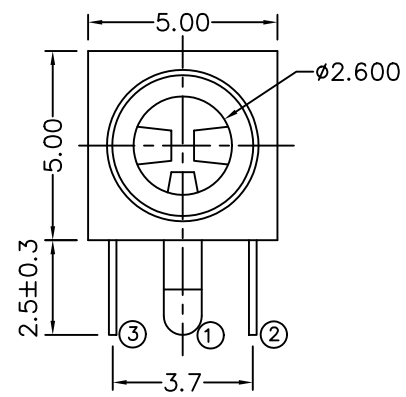
D

C

B

A

ZONE	SYMBOL	REVISION	APPROVAL	DATE
		DWG. NO. TO REVISE	S.T.CHU	30-9-2003



MODEL NO.	TG-253
SCHEMATIC	

* MATERIAL

- TERMINAL 1 : COPPER ALLOY
- TERMINAL 2 : COPPER ALLOY
- TERMINAL 3 : COPPER ALLOY
- BUSHING : BRASS
- HOUSING : PBT

SPECIFICATIONS

- 1 Insulation resistance of adjacent open terminals shall not be less than 50 Megohms when measured with 500 Volts resistance meter.
- 2 Connector shall withstand 500 Volts (RMS) between adjacent open terminal for one minute.
- 3 Contact resistance of normally closed terminals shall not exceed 0.03 ohms when measured at a current of one Ampere by Voltage drop method.
- 4 Connector shall withstand 5,000 cycles of insertions and withdrawal with testing plug , contact resistance shall not exceed 0.1 ohm.



DESIGN		J.M.KWAN	DATE	30-9-2003	SCALE	5:1
DRAWING		J.M.KWAN	DATE	30-9-2003	MATERIAL	*
PART NAME	2.5mm PHONE JACK	TOLERANCE UNLESS	0.0±0.2	CHECK	DATE	DWG. NO. TZ\TG253-PBT
PART NO.	TG-253	OTHERWISE SPECIFIED:	0.00±0.1 0.000±0.05	APPROVAL	DATE	SHEET

F

E

D

C

B

A DCF-04/A