

F

E

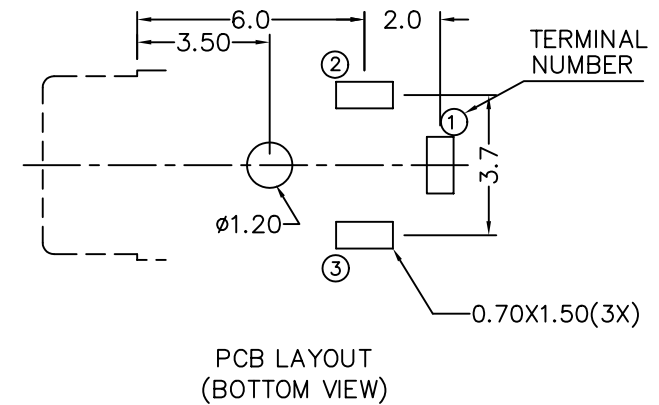
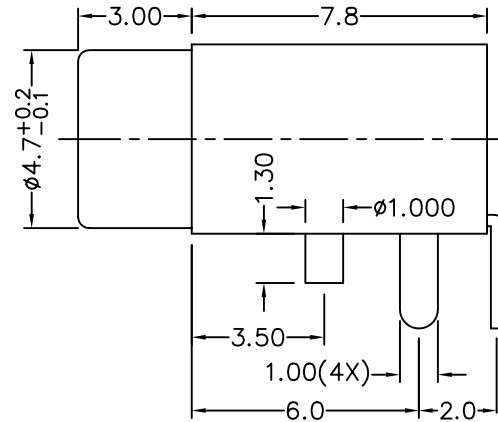
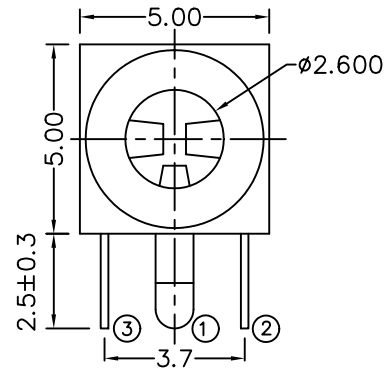
D

C

B

A

ZONE	SYMBOL	REVISION	APPROVAL	DATE
		DWG. NO. TO REVISE	S.T.CHU	2-10-2003



PCB LAYOUT
(BOTTOM VIEW)

MODEL NO.	TG-252
SCHEMATIC	

* MATERIAL

TERMINAL 1 : COPPER ALLOY
 TERMINAL 2 : COPPER ALLOY
 TERMINAL 3 : COPPER ALLOY
 HOUSING : PBT

SPECIFICATIONS

- 1 Insulation resistance of adjacent open terminals shall not be less than 50 Megohms when measured with 500 Volts resistance meter.
- 2 Connector shall withstand 500 Volts (RMS) between adjacent open terminal for one minute.
- 3 Contact resistance of normally closed terminals shall not exceed 0.03 ohms when measured at a current of one Ampere by Voltage drop method.
- 4 Connector shall withstand 5,000 cycles of insertions and withdrawal with testing plug , contact resistance shall not exceed 0.1 ohm.

JOYNet Enterprise Co.,Ltd. Technology
 Profession
 Service

DESIGN	J.M.KWAN	DATE	2-10-2003	SCALE	5:1
DRAWING	J.M.KWAN	DATE	2-10-2003	MATERIAL	*
CHECK		DATE		DWG. NO.	TZ\TG252-PBT
APPROVAL		DATE		SHEET	

PART NAME	2.5mm PHONE JACK	TOLERANCE UNLESS	0.0±0.2	UNIT:
PART NO.	TG-252	OTHERWISE SPECIFIED:	0.00±0.1 0.000±0.05	

F

E

D

C

B

A

DCF-04/A