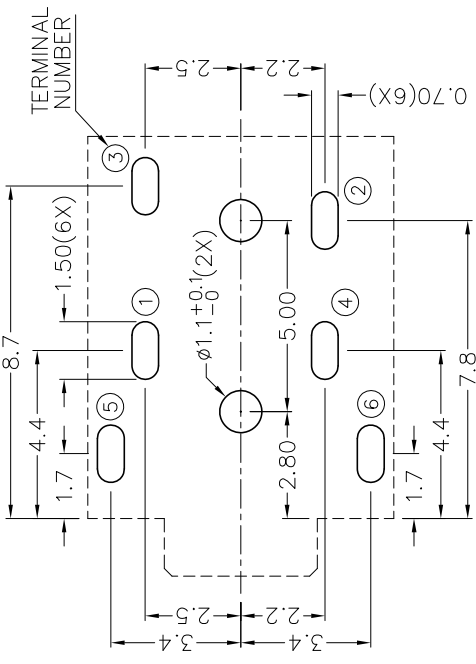
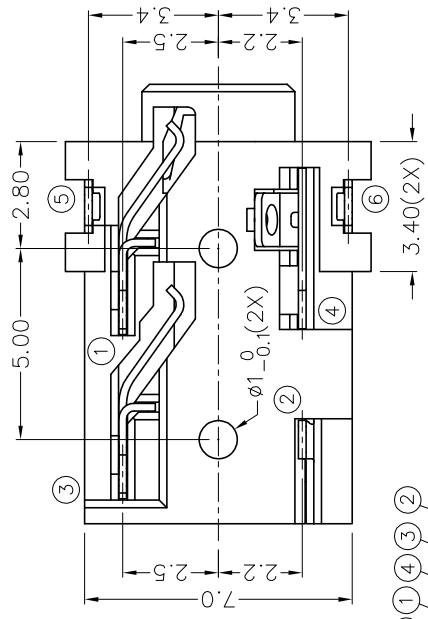
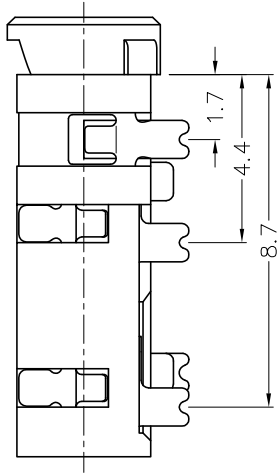
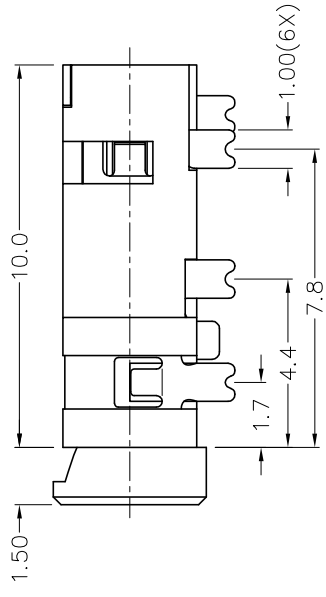
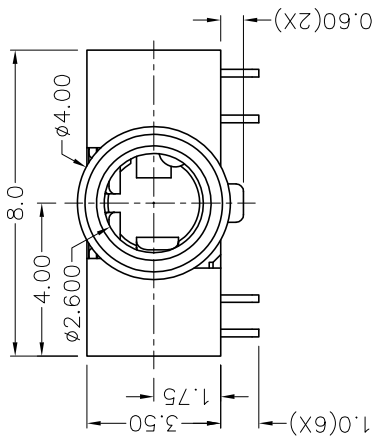
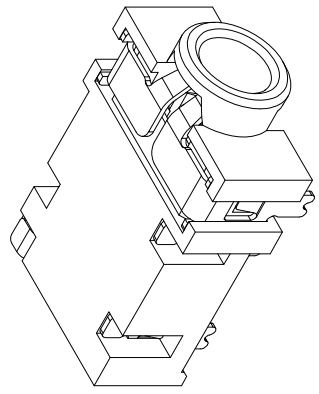
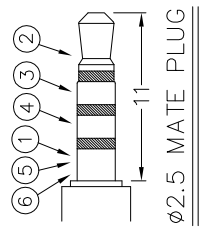
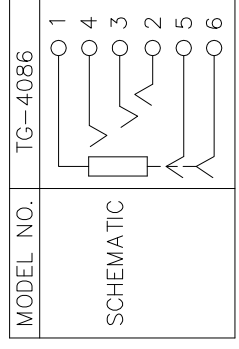


| | | | | |
|------|--------|----------|----------|------|
| ZONE | SYMBOL | REVISION | APPROVAL | DATE |
| | | | | |
| | | | | |

RoHS
Compliant



- * MATERIAL
- TERMINAL 1 : COPPER ALLOY
 - TERMINAL 2 : COPPER ALLOY
 - TERMINAL 3 : COPPER ALLOY
 - TERMINAL 4 : COPPER ALLOY
 - TERMINAL 5 : COPPER ALLOY
 - TERMINAL 6 : COPPER ALLOY
 - HOUSING : PA6T



PCB LAYOUT
(TOP VIEW)

| | | | | | | | |
|---|-------------------|----------|--------|------|------------|----------|-----------------|
| | | DESIGN | G.P.YI | DATE | 17-11-2008 | SCALE | 5:1 |
| TOLERANCE UNLESS OTHERWISE SPECIFIED: 0.00±0.05 mm | | DRAWING | G.P.YI | DATE | 17-11-2008 | MATERIAL | * |
| PART NAME | 2.5mm STEREO JACK | CHECK | | DATE | | DWG. NO. | TZ\TG408-PA6T/A |
| PART NO. | TG-408 | APPROVAL | | DATE | | SHEET | |
| F | | E | | D | | C | |
| F | | E | | D | | C | |
| F | | E | | D | | C | |
| F | | E | | D | | C | |