

RoHS
Compliant

ZONE	SYMBOL

ADDED INDICATION OF COPLANARITY

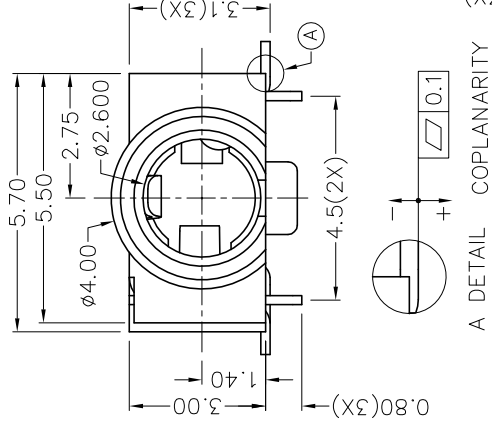
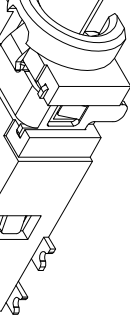
REVISION

APPROVAL

DATE

J.X.KUANG

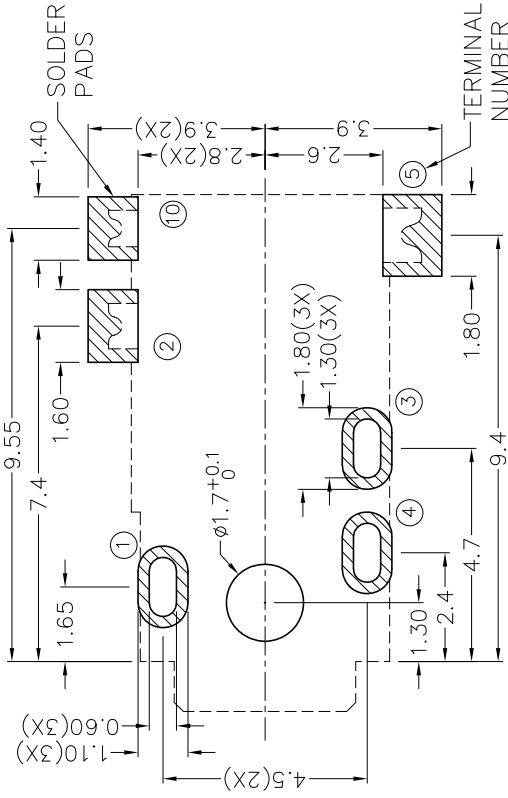
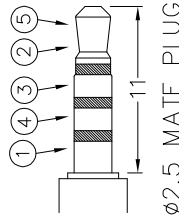
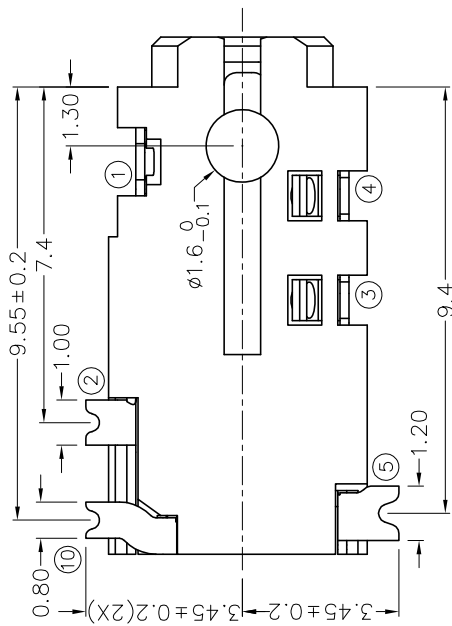
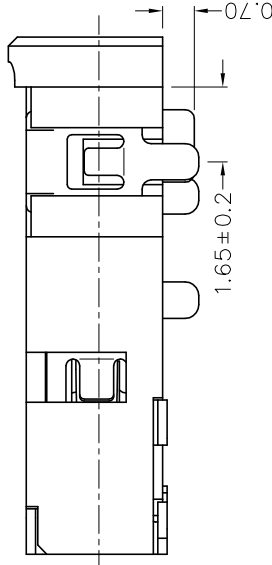
2-1-2009



*** MATERIAL**

- TERMINAL 1 : COPPER ALLOY
- TERMINAL 2 : COPPER ALLOY
- TERMINAL 3 : COPPER ALLOY
- TERMINAL 4 : COPPER ALLOY
- TERMINAL 5 : COPPER ALLOY
- TERMINAL 10 : COPPER ALLOY
- HOUSING : PA6T

MODEL NO.	TG-4076D
SCHEMATIC	



RECOMMENDED
SOLDER PAD LAYOUT

JOYNet Enterprise Co., Ltd.

SCALE

DATE

DATE

DATE

DATE

DESIGN

DRAWING

CHECK

APPROVAL

G.P.YI

T.Y.LI

UNIT:

TOLERANCE UNLESS

OTHERWISE SPECIFIED:

PART NAME

PART NO.

25-4-2008

2-1-2009

2-1-2009

6:1

MATERIAL

DWG. NO.

TZ\TG407D-PA6T/B

SHEET

6:1

25-4-2008

2-1-2009

2-1-2009

6:1

MATERIAL

DWG. NO.

TZ\TG407D-PA6T/B