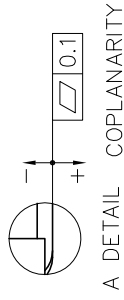
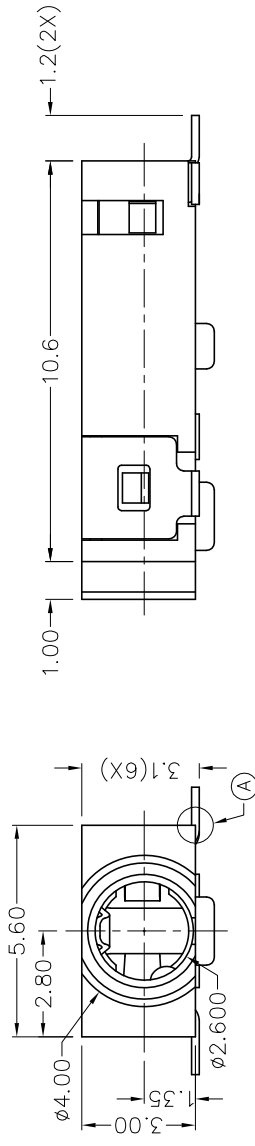
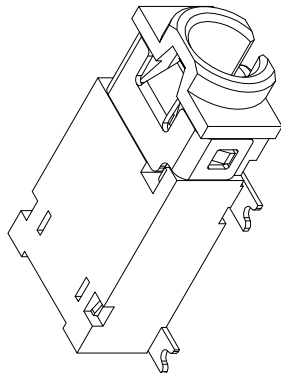
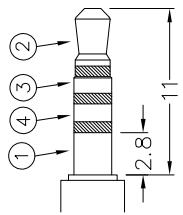
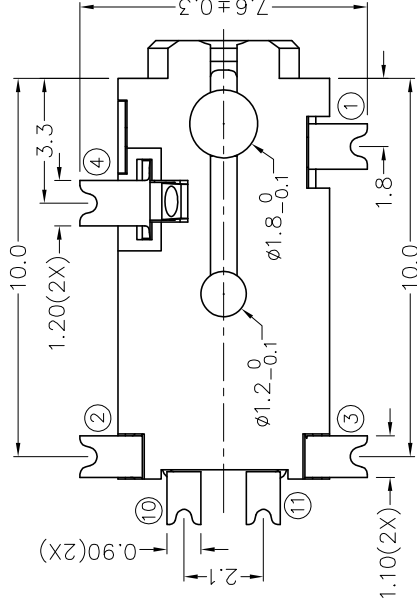
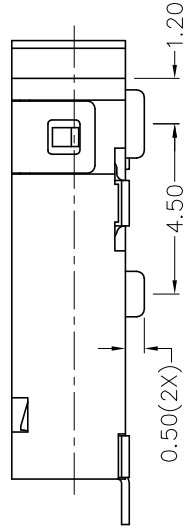


1		2		3		4	
ZONE		SYMBOL		REVISION		APPROVAL	
				ADDED INDICATION OF COPLANARITY		J.X.KUANG 30-12-2008	
						DATE	

**RoHS**  
Compliant



**\* MATERIAL**  
 TERMINAL 1 : COPPER ALLOY  
 TERMINAL 2 : BERYLLIUM COPPER  
 TERMINAL 3 : BERYLLIUM COPPER  
 TERMINAL 4 : COPPER ALLOY  
 TERMINAL 10 : COPPER ALLOY  
 TERMINAL 11 : COPPER ALLOY  
 HOUSING : PA6T



MODEL NO.	TG-2976D	TG-2975AD	TG-2975BD	TG-2974D
SCHEMATIC				

RECOMMENDED  
SOLDER PAD LAYOUT

Ø2.5 SPECIAL MATE PLUG

PART NAME		2.5mm SMD STEREO JACK		TOLERANCE UNLESS		0.0±0.2		DESIGN		T.Y.LI		DATE		20-7-2006		SCALE		5:1	
PART NO.		TG-297D		OTHERWISE SPECIFIED:		0.00±0.1		DRAWING		T.Y.LI		DATE		30-12-2008		MATERIAL		*	
								CHECK				DATE				DWG. NO.		TZ\TG297D-PA6T/B	
								APPROVAL				DATE				SHEET			

**JOYNet Enterprise Co., Ltd.**