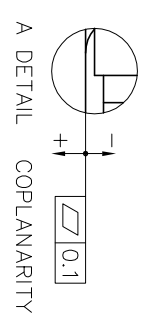
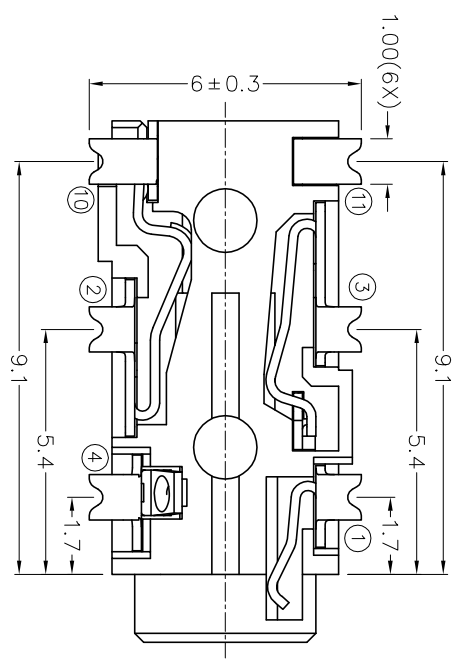
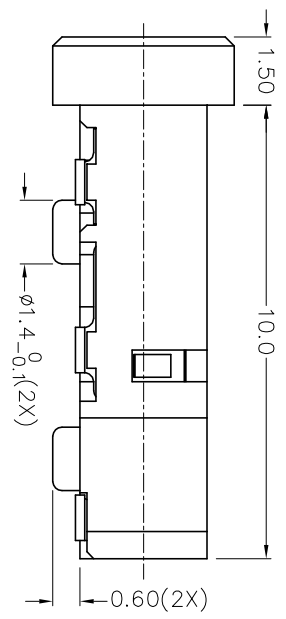
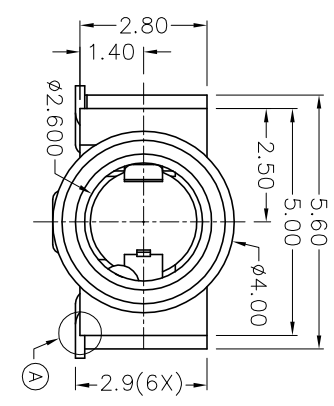
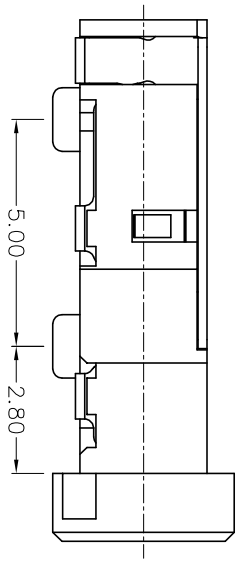
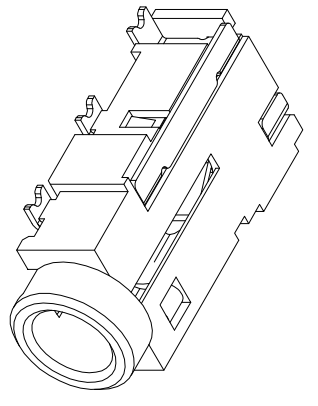


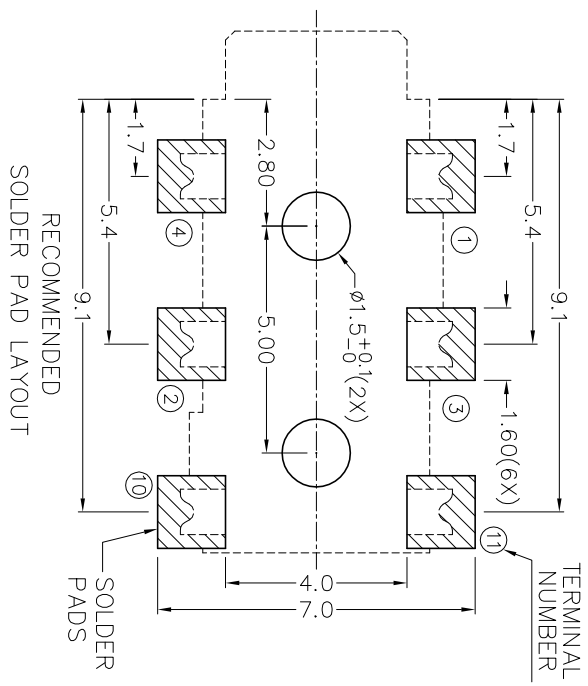
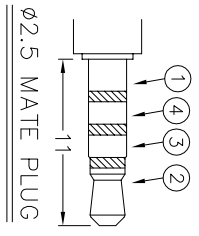
RoHS
Compliant

C		B		A	
ZONE	SYMBOL	REVISION	APPROVAL	DATE	
		RENOVATED STRUCTURE	J.X.KUANG	17-9-2008	



* MATERIAL
 TERMINAL 1 : COPPER ALLOY
 TERMINAL 2 : COPPER ALLOY
 TERMINAL 3 : COPPER ALLOY
 TERMINAL 4 : COPPER ALLOY
 TERMINAL 10 : COPPER ALLOY
 TERMINAL 11 : COPPER ALLOY
 HOUSING : PA6T

MODEL NO.	TG-2966BD	TG-2965AD	TG-2965BD	TG-2964D
SCHEMATIC				



JOYNet Enterprise Co., Ltd.

PART NAME	2.5mm SMD STEREO JACK	TOLERANCE UNLESS	0.0±0.2	UNIT:	mm
PART NO.	TG-296D	OTHERWISE SPECIFIED:	0.000±0.05		

C		B		A	
DESIGN	T.Y.LI	DATE	9-6-2006	SCALE	6:1
DRAWING	T.Y.LI	DATE	17-9-2008	MATERIAL	*
CHECK		DATE		DWG. NO.	TZ\TG296D-PA6T/B
APPROVAL		DATE		SHEET	