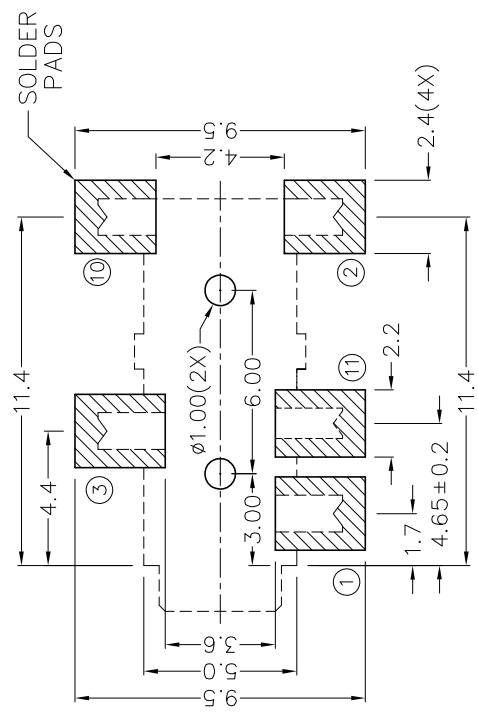
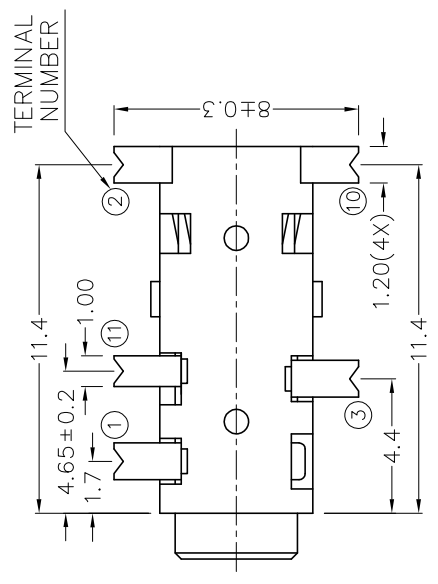
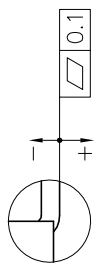
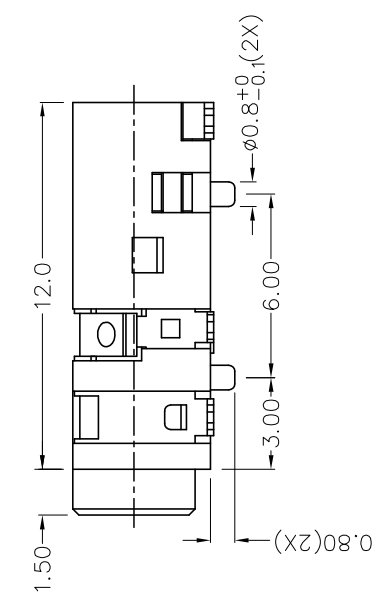
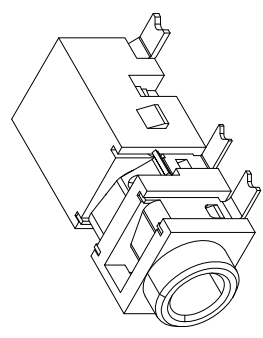


1		2		3		4	
ZONE	SYMBOL	REVISION	APPROVAL	DATE			
		ADDED INDICATION OF COPLANARITY	J.X.KUANG	25-12-2008			

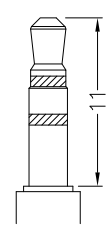
RoHS
Compliant



RECOMMENDED
SOLDER PAD LAYOUT

*** MATERIAL**

- TERMINAL 1 : COPPER ALLOY
- TERMINAL 2 : COPPER ALLOY
- TERMINAL 3 : COPPER ALLOY
- TERMINAL 10 : BRASS
- TERMINAL 11 : BRASS
- HOUSING : PA6T



MODEL NO.	TG-2915D	TG-2914AD	TG-2914BD	TG-2913D	TG-2913AD
SCHEMATIC					

JOYNet Enterprise Co., Ltd.

PART NAME	2.5mm SMD STEREO JACK	TOLERANCE UNLESS	0.0±0.2	SCALE	4:1
PART NO.	TG-291D	OTHERWISE SPECIFIED:	0.00±0.1 0.000±0.05 mm	MATERIAL	*
DESIGN	L.L.ZHANG	DATE	28-4-2005	DWG. NO.	TG291D-PA6T/C
DRAWING	T.Y.LI	DATE	25-12-2008	SHEET	
CHECK		DATE			
APPROVAL		DATE			