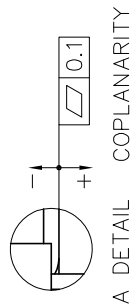
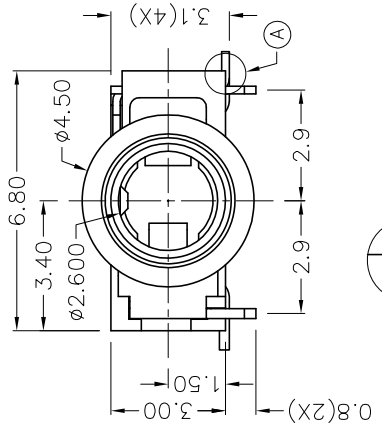
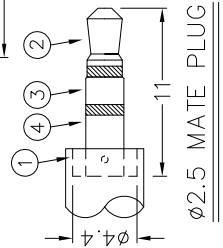


RoHS
Compliant



- * MATERIAL**
- TERMINAL 1 : BRASS
 - TERMINAL 2 : COPPER ALLOY
 - TERMINAL 3 : COPPER ALLOY
 - TERMINAL 4 : COPPER ALLOY
 - TERMINAL 10 : BRASS
 - TERMINAL 11 : BRASS
 - HOUSING : PA6T

MODEL NO.	TG-2906D-2	TG-2905AD-2	TG-2905BD-2	TG-2904D-2
SCHEMATIC				



JOYNet Enterprise Co., Ltd.		DESIGN	L.L.ZHANG	DATE	24-6-2005	SCALE	5:1
PART NAME	2.5mm SMD STEREO JACK	DRAWING	T.Y.LI	DATE	25-12-2008	MATERIAL	*
PART NO.	TG-290D-2	CHECK		DATE		DWG. NO.	TZ\TG290D-2-PA6T/C
		APPROVAL		DATE		SHEET	