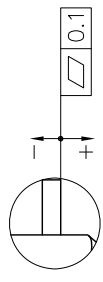
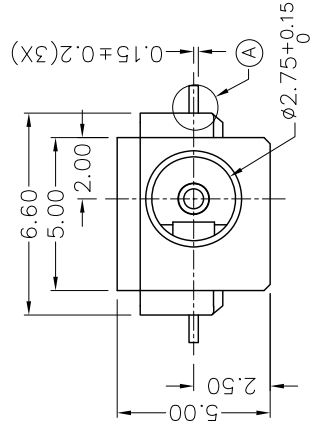
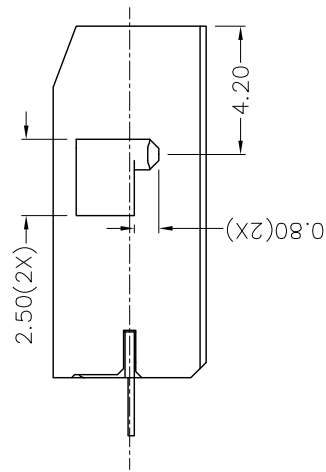
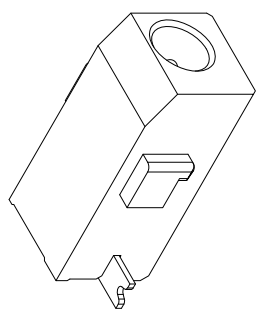


A		B		C		D		E		F	
APPROVAL		REVISION		ZONE SYMBOL		DATE		DATE		DATE	

RoHS
Compliant

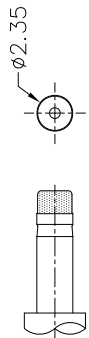


A DETAIL COPLANARITY

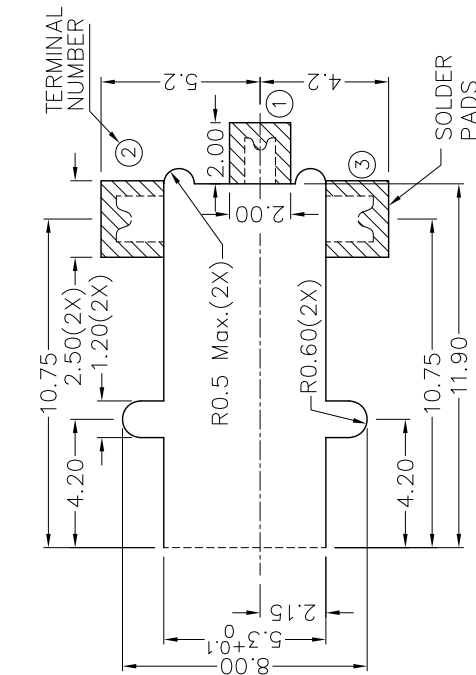
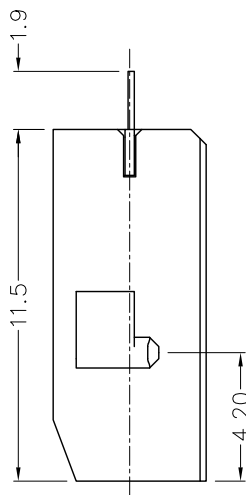
*** MATERIAL**

- TERMINAL 1 : BRASS
- TERMINAL 2 : COPPER ALLOY
- TERMINAL 3 : BRASS
- HOUSING : PA6T

MODEL NO.	TDC-097DH
SCHEMATIC	
CENTER PIN	φ0.65mm



DC MATE PLUG



RECOMMENDED
SOLDER PAD LAYOUT
(TOP VIEW)

JOYNet Enterprise Co., Ltd.

DESIGN	CH.XIONG	DATE	15-11-2011	SCALE	4:1
DRAWING	CH.XIONG	DATE	15-11-2011	MATERIAL	*
CHECK		DATE		DWG. NO.	TZ\DC097DH-PA6T/A
APPROVAL		DATE		SHEET	