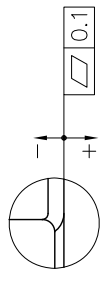
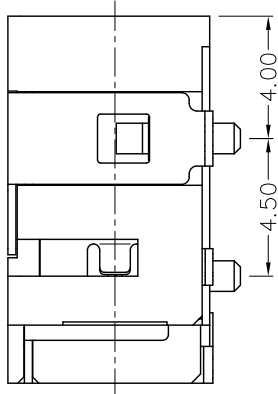
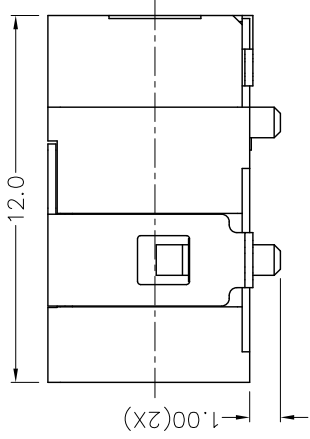
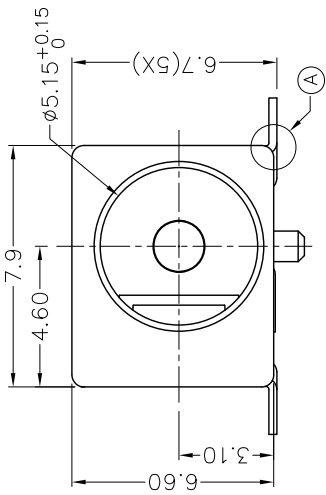
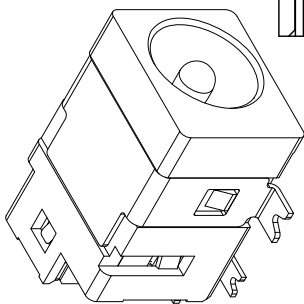


F		E		D		C		B		A	
ZONE		SYMBOL		REVISION		APPROVAL		DATE			

**RoHS**  
Compliant

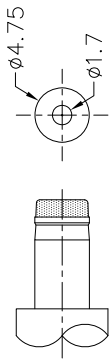
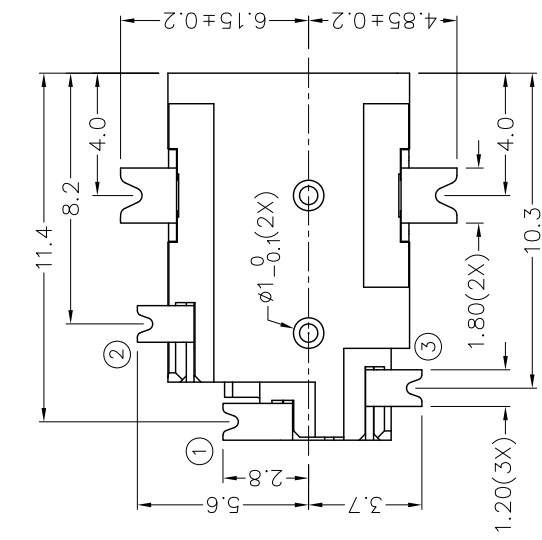


A DETAIL COPLANARITY

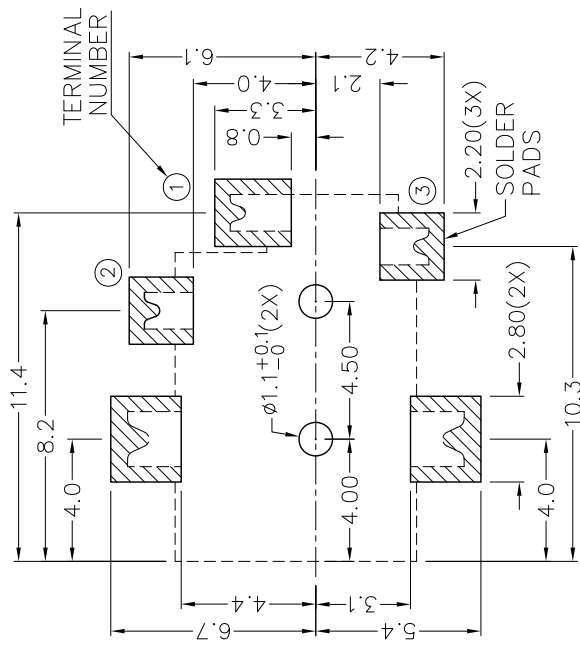
**\* MATERIAL**

- TERMINAL 1 : BRASS
- TERMINAL 2 : COPPER ALLOY
- TERMINAL 3 : BRASS
- SHIELD : BRASS
- HOUSING : PA6T

MODEL NO.	TDC-096DHS
SCHEMATIC	1, 3, 2
CENTER PIN	ø1.65mm



DC MATE PLUG



RECOMMENDED  
SOLDER PAD LAYOUT  
(TOP VIEW)

DESIGN		J.CHEN	DATE	16-9-2011	SCALE	4:1
DRAWING		J.CHEN	DATE	16-9-2011	MATERIAL	*
CHECK			DATE		DWG. NO.	TZ\DC0096DHS-PA6T/A
APPROVAL			DATE		SHEET	

**JOYNet Enterprise Co., Ltd.**

PART NAME	HIGH CURRENT SMD DC POWER SOCKET	TOLERANCE UNLESS	0.0±0.2	UNIT:	mm
PART NO.	TDC-096DHS	OTHERWISE SPECIFIED:	0.00±0.1		