

1

2

3

4

ZONE SYMBOL

REVISION

APPROVAL

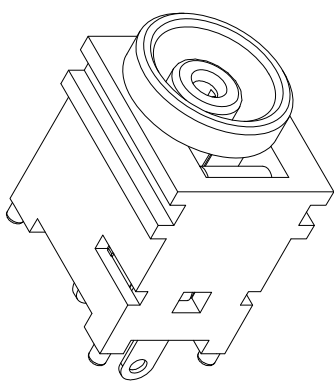
DATE

APPROVAL

DATE

APPROVAL

DATE

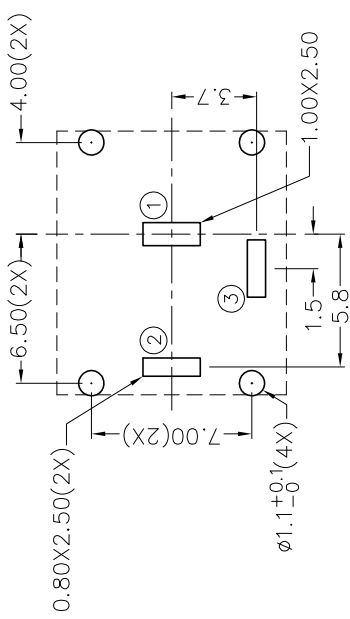
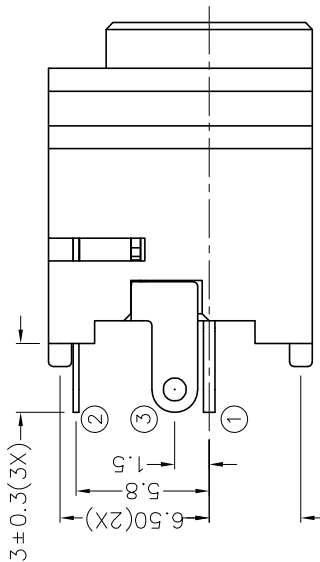
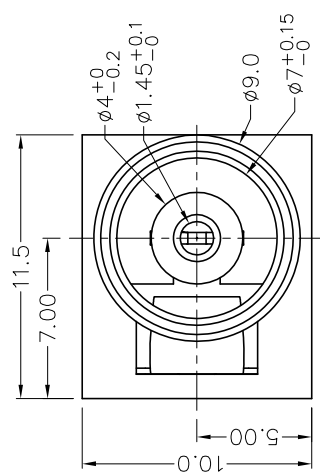
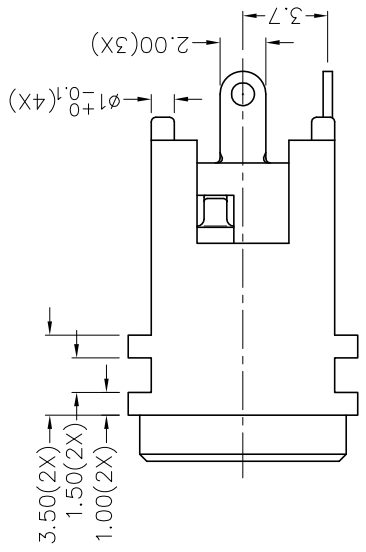
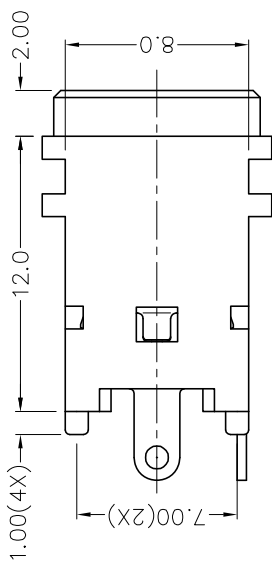


1

2

3

4

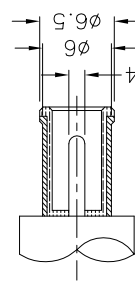


PCB LAYOUT
(TOP VIEW)

* MATERIAL

TERMINAL 1 : BRASS
TERMINAL 2 : COPPER ALLOY
TERMINAL 3 : BRASS
HOUSING : PA66

MODEL NO.	TDC-091
SCHEMATIC	



DC MATE PLUG

			DESIGN	3-11-2010	SCALE	3:1	
			DRAWING	3-11-2010	MATERIAL	*	
PART NAME	DC POWER SOCKET	TOLERANCE UNLESS	0.0±0.2	DATE		DWG. NO.	TZ\DC091-PA66/A
PART NO.	TDC-091	OTHERWISE SPECIFIED:	0.00±0.1	DATE		SHEET	
			UNIT:	DATE			
				DATE			