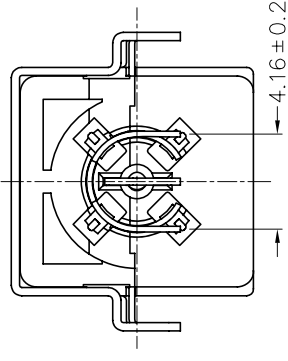
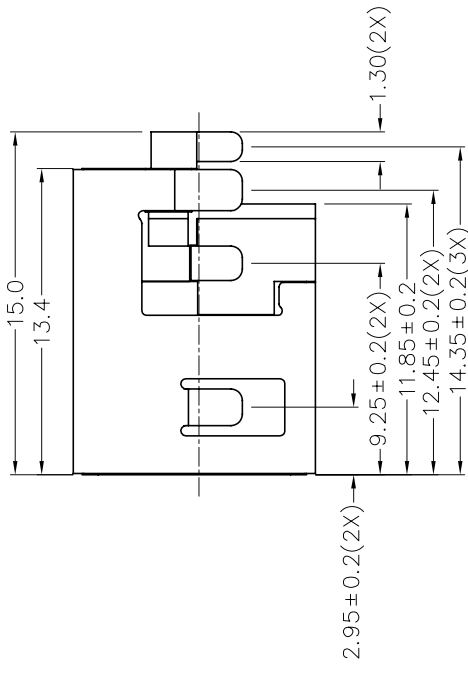
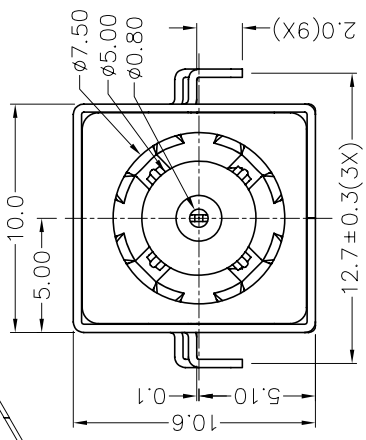
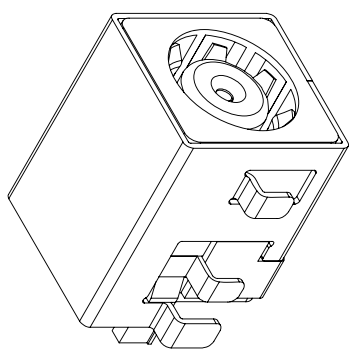


F		E		D		C		B		A	
ZONE		SYMBOL		REVISION		APPROVAL		DATE			

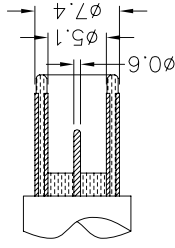
RoHS
Compliant



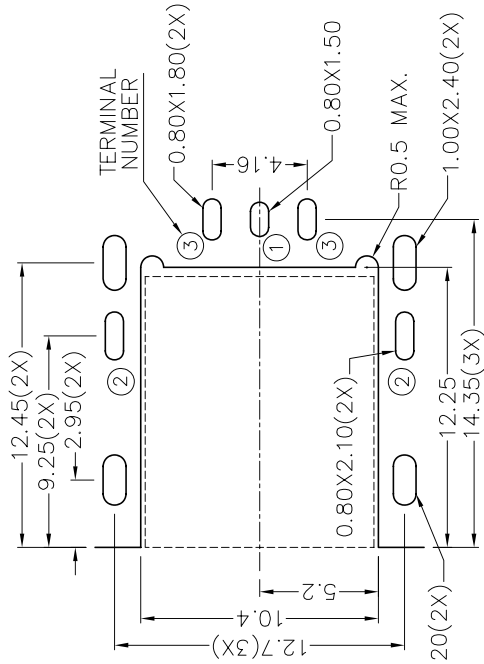
*** MATERIAL**

- TERMINAL 1 : COPPER ALLOY
- TERMINAL 2 : COPPER ALLOY
- TERMINAL 3 : COPPER ALLOY
- SHIELD : BRASS
- HOUSING : PA6T
- COVER : PA6T

MODEL NO.	TDC-089DHS
SCHEMATIC	



DC MATE PLUG



PCB LAYOUT
(TOP VIEW)

PART NAME		HIGH CURRENT SMD DC POWER SOCKET		TOLERANCE UNLESS OTHERWISE SPECIFIED: 0.00±0.1		UNIT: mm		DESIGN		DATE		SCALE		3:1	
PART NO.		TDC-089DHS		0.00±0.05				DRAWING		DATE		MATERIAL		*	
								CHECK		DATE		DWG. NO.		TZ\DC089DHS-PA6T/A	
								APPROVAL		DATE		SHEET			