

1

2

3

4

ZONE SYMBOL

REVISION

APPROVAL

DATE

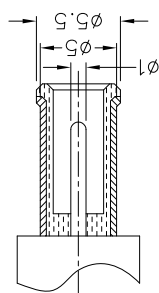
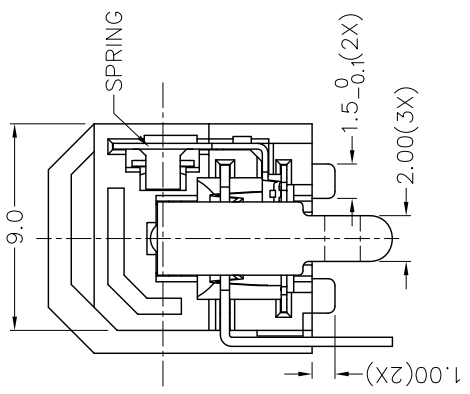
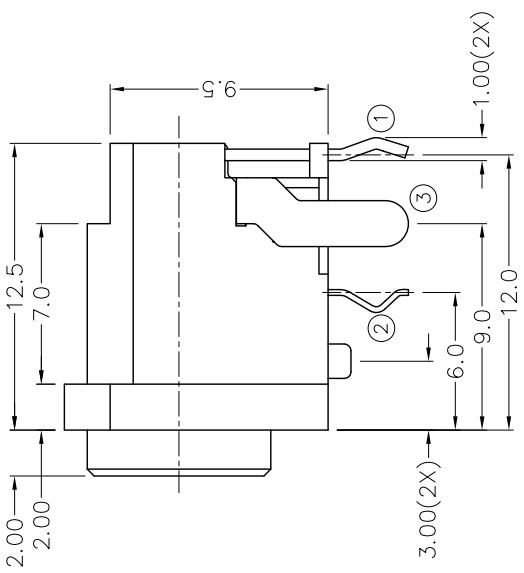
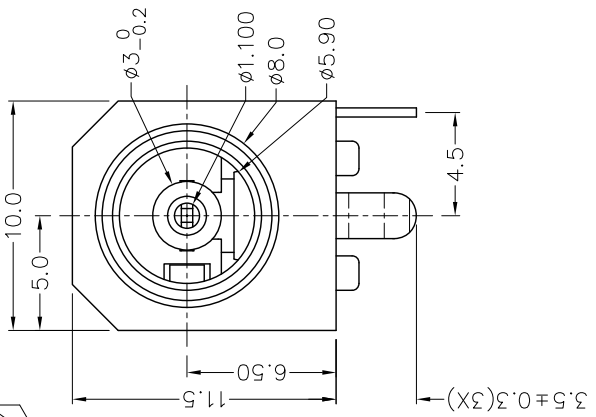
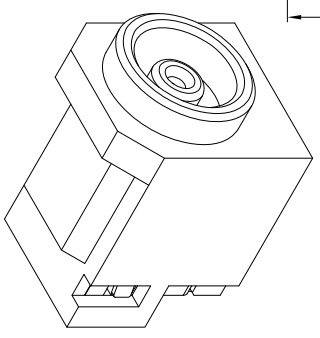
1

2

3

4

RoHS
Compliant

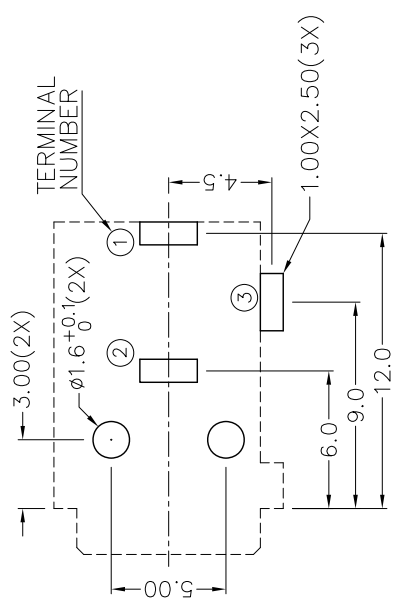


DC MATE PLUG

* MATERIAL

- TERMINAL 1 : BRASS
- TERMINAL 2 : COPPER ALLOY
- TERMINAL 3 : BRASS
- SPRING : COPPER ALLOY
- HOUSING : PA66

MODEL NO.	TDC-088
SCHEMATIC	



PCB LAYOUT
(TOP VIEW)



DESIGN	H.L.TAN	DATE	24-2-2010	SCALE	3:1
DRAWING	H.L.TAN	DATE	24-2-2010	MATERIAL	*
CHECK		DATE		DWG. NO.	TZ\DC088-PA66/A
APPROVAL		DATE		SHEET	

PART NAME	DC POWER SOCKET	TOLERANCE UNLESS	0.0±0.2
PART NO.	TDC-088	OTHERWISE SPECIFIED:	0.00±0.1 0.000±0.05
UNIT:	mm		

F E D C B A