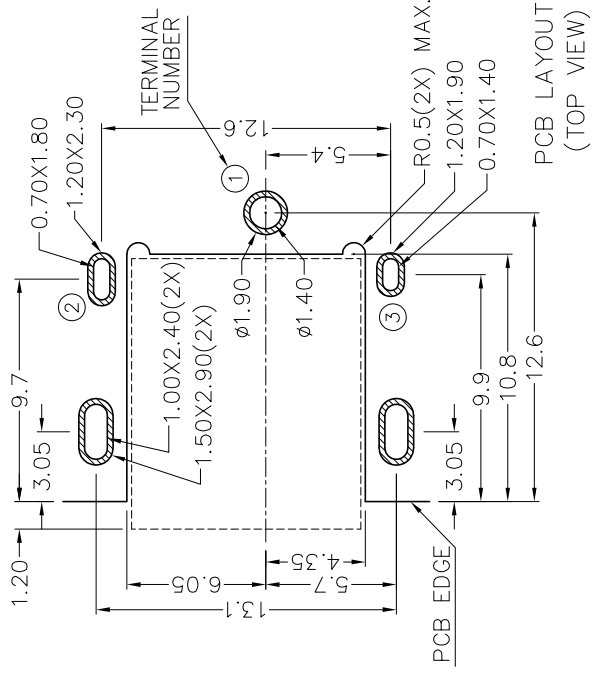
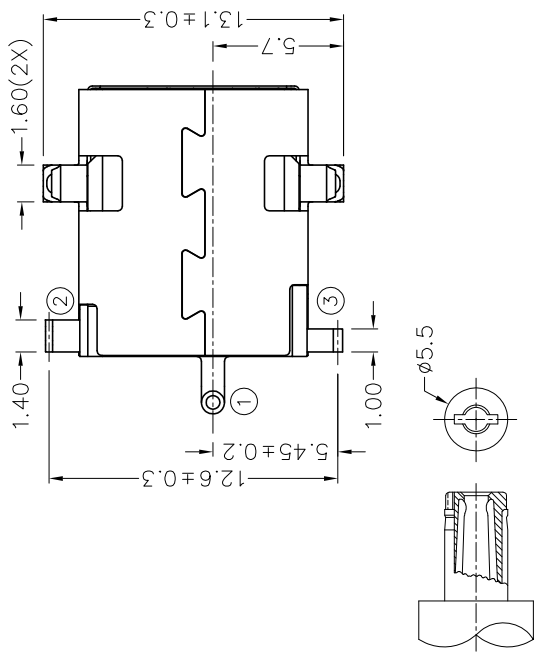
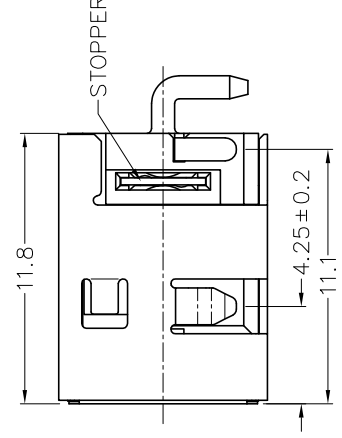
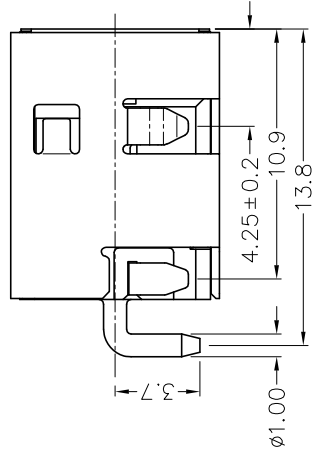
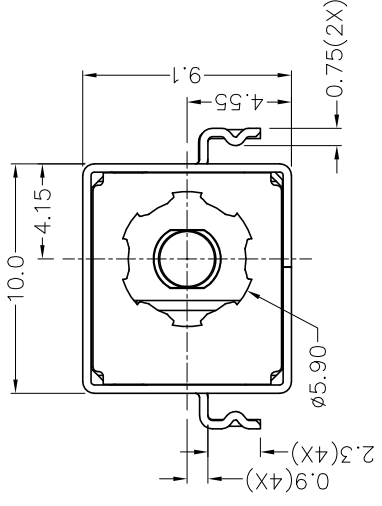
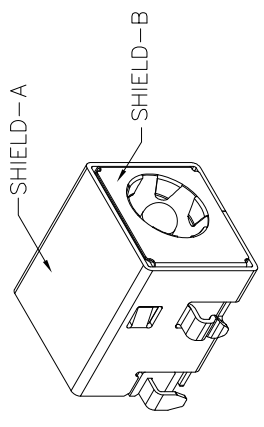


RoHS
Compliant



- * MATERIAL**
- TERMINAL 1 : BRASS
 - TERMINAL 2 : COPPER ALLOY
 - TERMINAL 3 : BRASS
 - SHIELD-A : BRASS
 - SHIELD-B : STAINLESS STEEL
 - STOPPER : C.R.STEEL
 - HOUSING : PA6T

MODEL NO.	TDC-084DHS
SCHEMATIC	
CENTER PIN	∅2.5mm

DC MATE PLUG