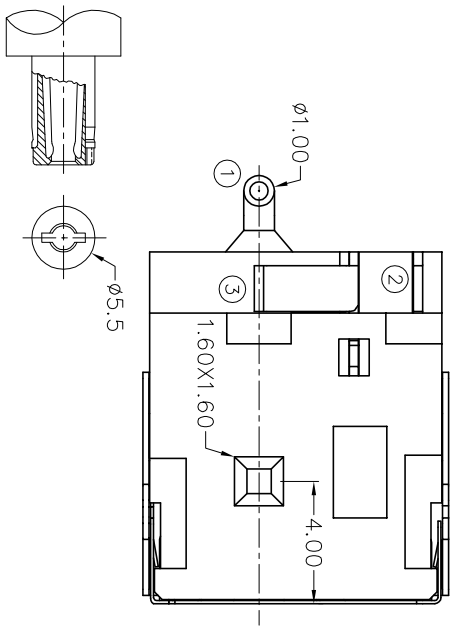
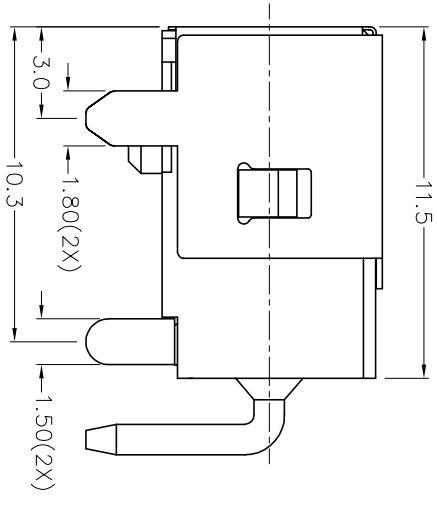
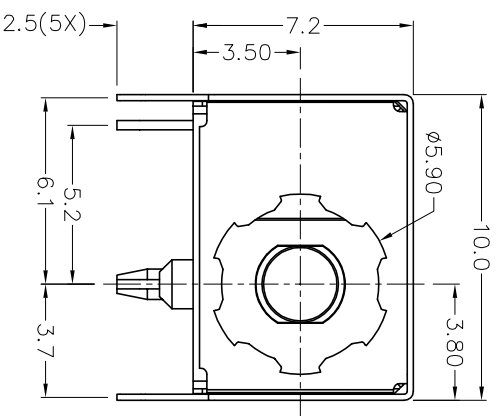
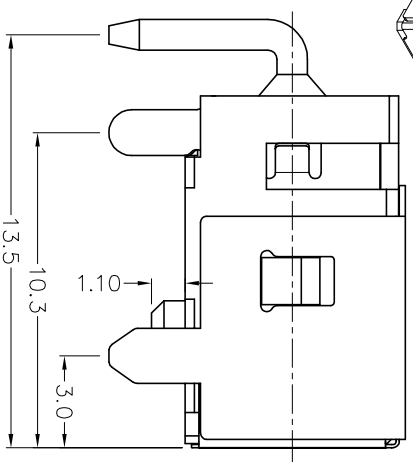
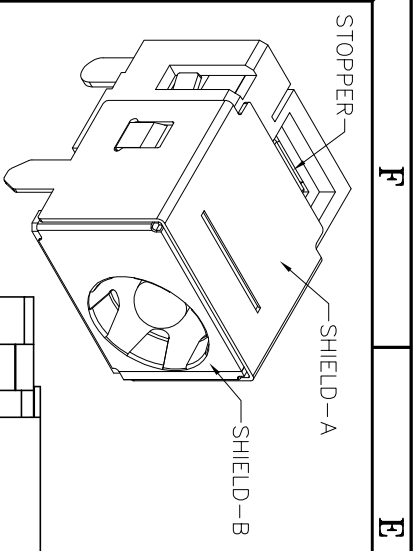


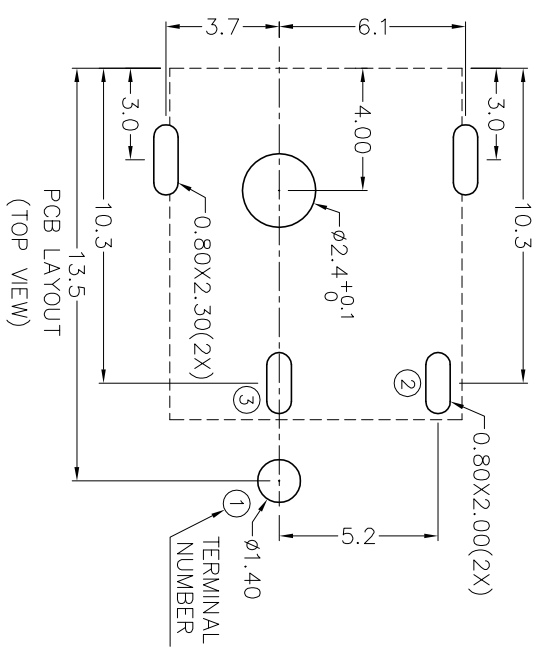
ZONE	SYMBOL	REVISION	APPROVAL	DATE

**RoHS**  
Compliant



MODEL NO.	TDC-083HS
SCHEMATIC	
CENTER PIN	φ2.5mm

**\* MATERIAL**  
 TERMINAL 1 : BRASS  
 TERMINAL 2 : COPPER ALLOY  
 TERMINAL 3 : BRASS  
 STOPPER : C.R.STEEL  
 SHIELD-A : BRASS  
 SHIELD-B : STAINLESS STEEL  
 HOUSING : PA6T



DC MATE PLUG

**JOYNet Enterprise Co., Ltd.**

PART NAME	HIGH CURRENT DC POWER SOCKET	TOLERANCE UNLESS	0.0±0.2	UNIT:	mm	DESIGN	T.Y.LI	DATE	31-8-2009	SCALE	4:1
PART NO.	TDC-083HS	OTHERWISE SPECIFIED:	0.00±0.1 0.000±0.05			DRAWING	T.Y.LI	DATE	31-8-2009	MATERIAL	*
						CHECK		DATE		DWG. NO.	TZ\PC083HS-PA6T/A
						APPROVAL		DATE		SHEET	