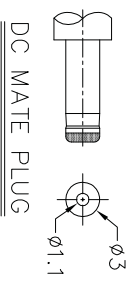
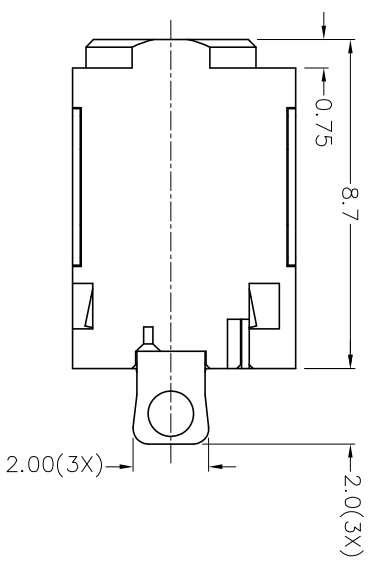
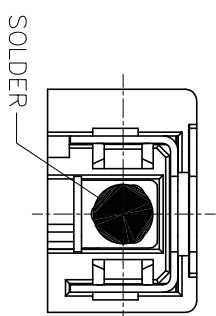
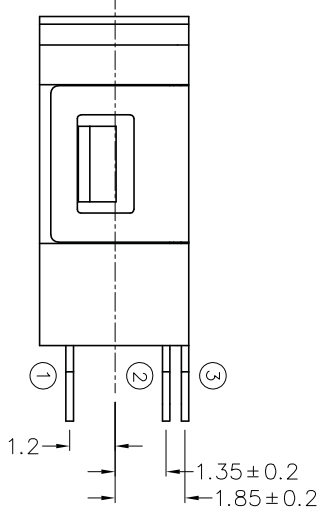
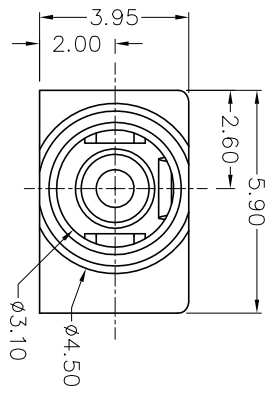
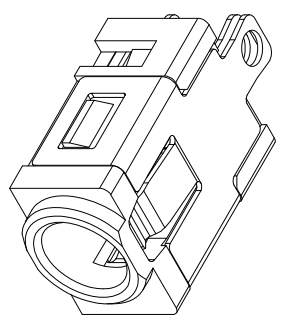


C		B		A	
ZONE	SYMBOL	REVISION	APPROVAL	DATE	

ROHS
Compliant



DC MATE PLUG

* MATERIAL
 CENTRE PIN : BRASS
 TERMINAL 1 : BRASS
 TERMINAL 2 : COPPER ALLOY
 TERMINAL 3 : COPPER ALLOY
 HOUSING : PA6T

MODEL NO.	TDC-082H
SCHEMATIC	
CENTER PIN	φ1mm

JOYNet Enterprise Co., Ltd.
 Technology
 Profession
 Service

PART NAME	HIGH CURRENT DC POWER SOCKET	TOLERANCE UNLESS	0.0±0.2	UNIT:	mm	DESIGN	X.N.ZHENG	DATE	23-4-2009	SCALE	5:1
PART NO.	TDC-082H	OTHERWISE SPECIFIED:	0.00±0.1			DRAWING	T.Y.LI	DATE	2-6-2009	MATERIAL	*
			0.000±0.05			CHECK		DATE		DWG. NO.	TYDC082H-PA6T/A
						APPROVAL		DATE		SHEET	

F E D C B A

4 3 2 1 4 3 2 1 4 3 2 1 4