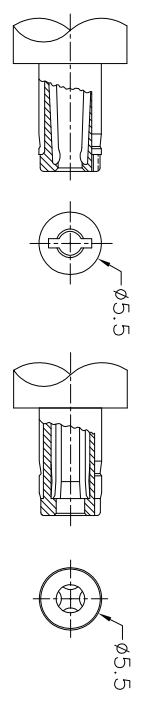
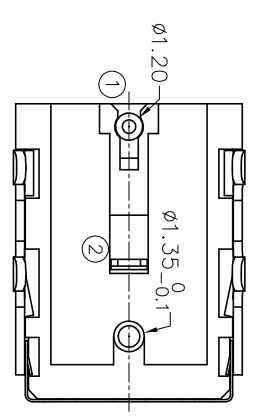
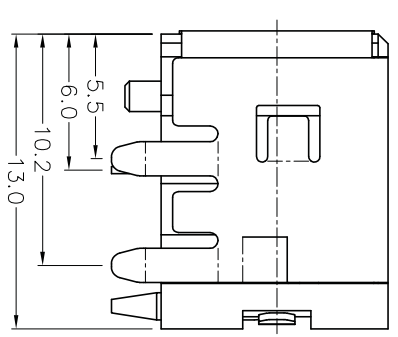
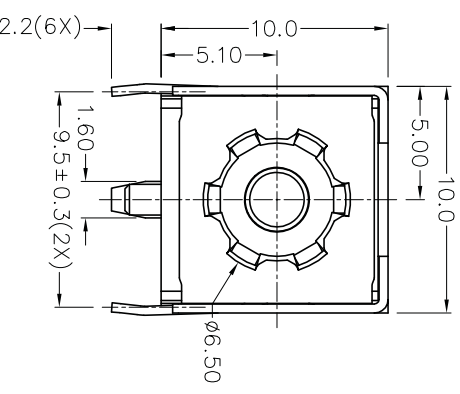
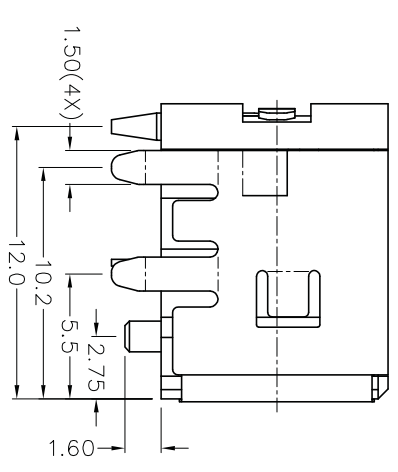
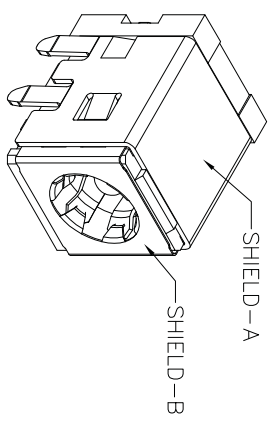


ZONE	SYMBOL	REVISION	APPROVAL	DATE

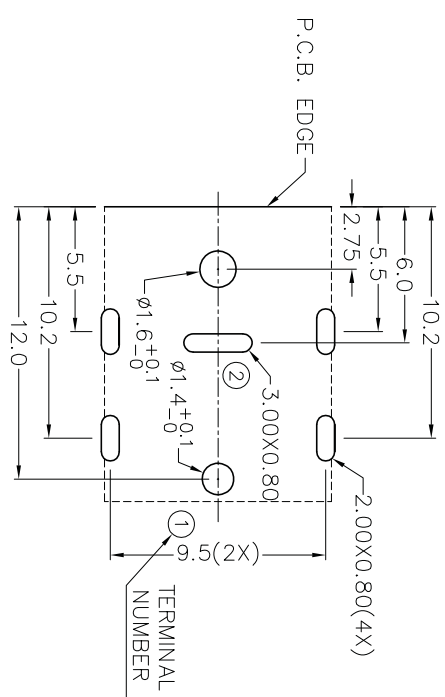
**RoHS**  
Compliant



DC MATE PLUG RATING: DC 20V 7A  
DC MATE PLUG RATING: DC 20V 10A

**\* MATERIAL**  
 TERMINAL 1 : BRASS  
 TERMINAL 2 : COPPER ALLOY  
 STOPPER : C.R.STEEL  
 SHIELD-A : C.R.STEEL  
 SHIELD-B : STAINLESS STEEL  
 HOUSING : PA6T  
 COVER : PA6T

MODEL NO.	TDC-081HS
SCHEMATIC	
CENTER PIN	φ2.5mm



**JOYNet Enterprise Co., Ltd.**  
 Technology  
 Profession  
 Service

PART NAME	HIGH CURRENT DC POWER SOCKET	TOLERANCE UNLESS	0.0±0.2	UNIT:	mm	DESIGN	T.Y.LI	DATE	17-3-2009	SCALE	3:1
PART NO.	TDC-081HS	OTHERWISE SPECIFIED:	0.00±0.1			DRAWING	T.Y.LI	DATE	4-6-2009	MATERIAL	*
			0.000±0.05			CHECK		DATE		DWG. NO.	TYD0081HS-PA6T/A
						APPROVAL		DATE		SHEET	