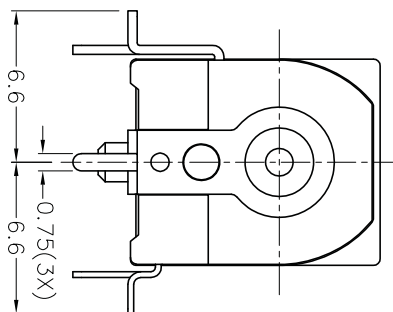
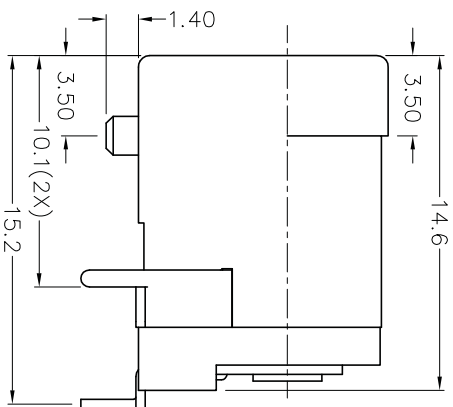
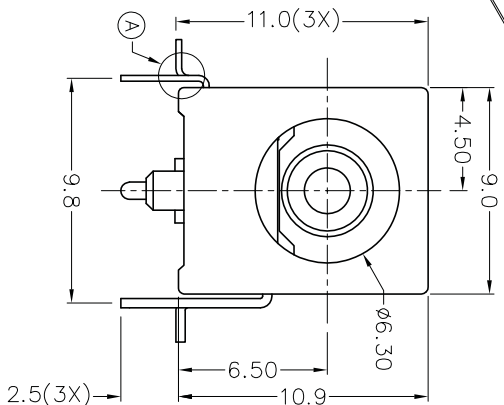
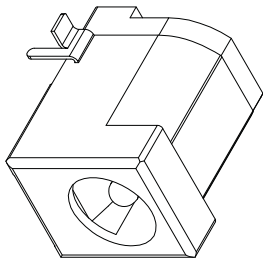
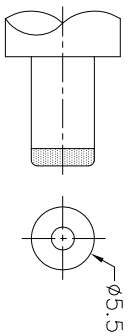
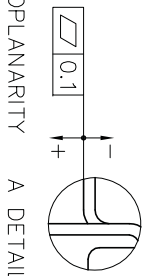


RoHS
Compliant

ZONE	SYMBOL	REVISION	APPROVAL	DATE

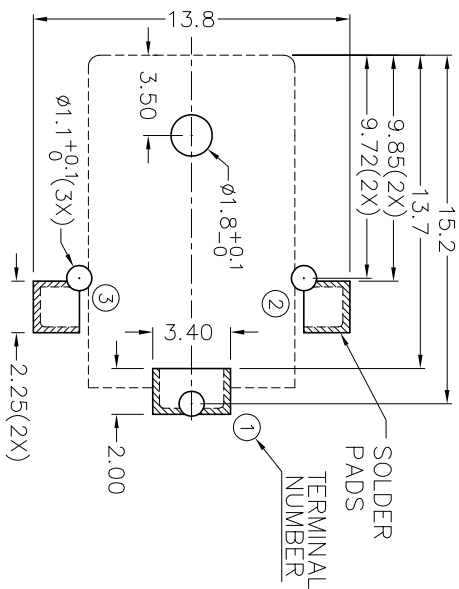
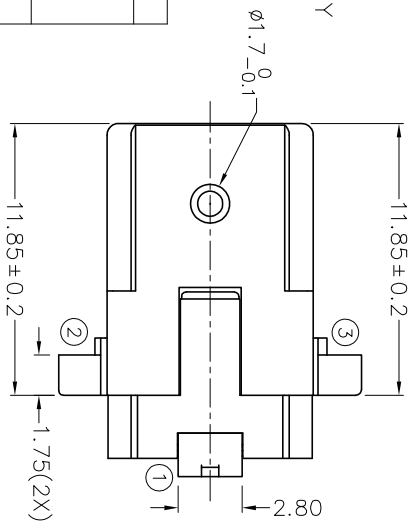


* MATERIAL
 CENTRE PIN : COPPER
 TERMINAL 1 : BRASS
 TERMINAL 2 : COPPER ALLOY
 TERMINAL 3 : BRASS
 HOUSING : PA6T
 COVER : PA6T



DC MATE PLUG

MODEL NO.	TDC-080D
SCHEMATIC	 ∠ 1 2 3
CENTER PIN	∅2mm
	∅2.5mm



RECOMMENDED
SOLDER PAD LAYOUT
(TOP VIEW)

PART NAME SMD DC POWER SOCKET

PART NO. TDC-080D

TOLERANCE UNLESS
0.00±0.2
0.00±0.1
OTHERWISE SPECIFIED: 0.000±0.05

UNIT: mm

CHECK APPROVAL

DESIGN X.N.ZHENG

DRAWING X.N.ZHENG

DATE 28-10-2008

DATE 28-10-2008

DATE DATE

DATE DATE

JOYNet Enterprise Co., Ltd.

Technology
Profession
Service

SCALE 3:1

MATERIAL *

DWG. NO. TZ\DC080D-PA6T/A

SHEET