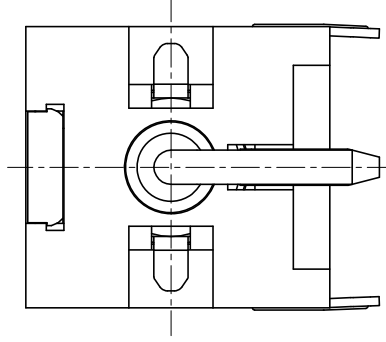
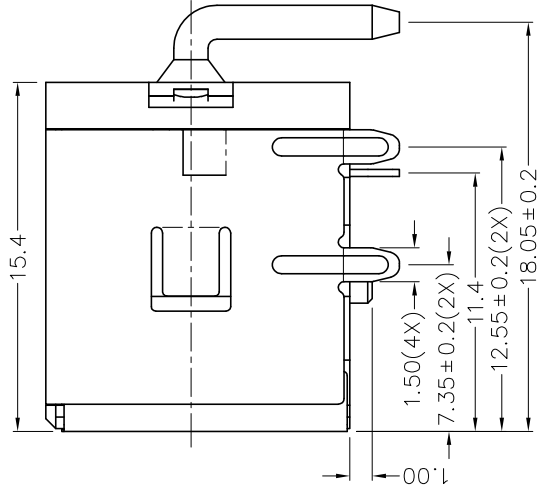
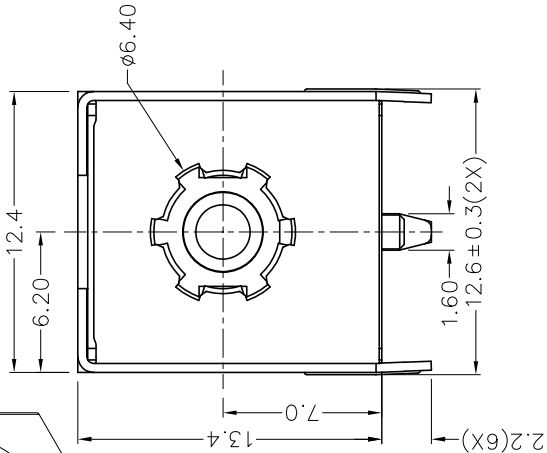
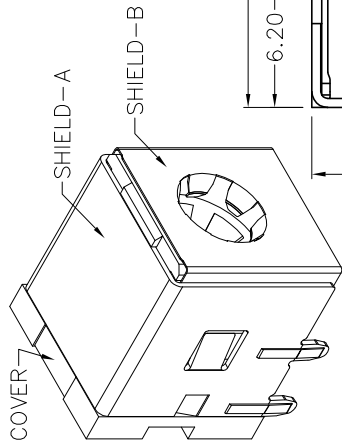


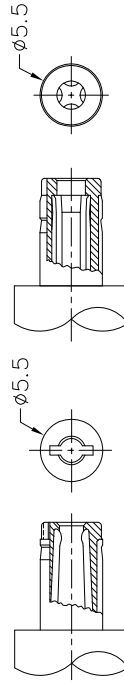
RoHS
Compliant



* MATERIAL

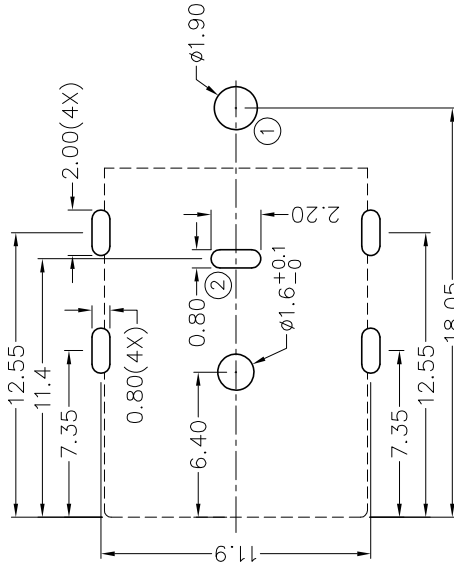
- TERMINAL 1 : BRASS
- TERMINAL 2 : COPPER ALLOY
- STOPPER : C.R.STEEL
- SHIELD-A : C.R.STEEL
- SHIELD-B : STAINLESS STEEL
- HOUSING : PA6T
- COVER : PA6T

MODEL NO.	TDC-079HS
SCHEMATIC	
CENTER PIN	φ2.5mm



DC MATE PLUG
RATING: DC 20V 7A

DC MATE PLUG
RATING: DC 20V 10A



PCB LAYOUT
(TOP VIEW)

		DESIGN	T.Y.LI	DATE	15-5-2009	SCALE	3:1
PART NAME HIGH CURRENT DC POWER SOCKET		DRAWING	T.Y.LI	DATE	15-5-2009	MATERIAL	*
TOLERANCE UNLESS 0.0±0.2 0.00±0.1 OTHERWISE SPECIFIED: 0.000±0.05 mm		CHECK		DATE		DWG. NO.	TZ\DC079HS-PA6T/A
PART NO. TDC-079HS		APPROVAL		DATE		SHEET	