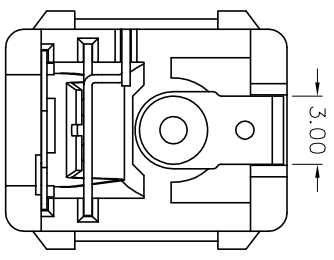
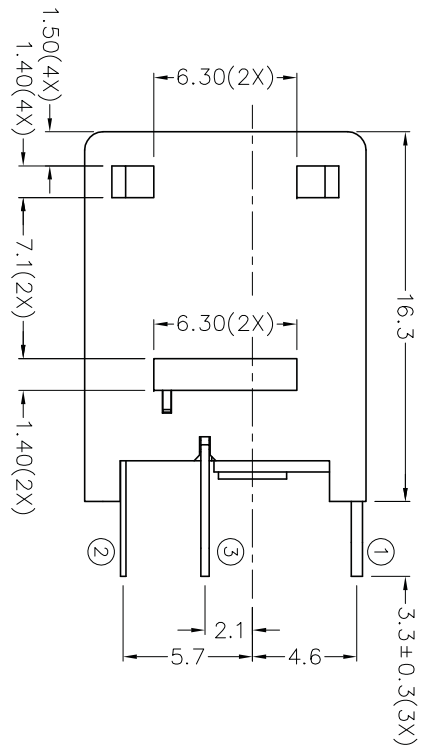
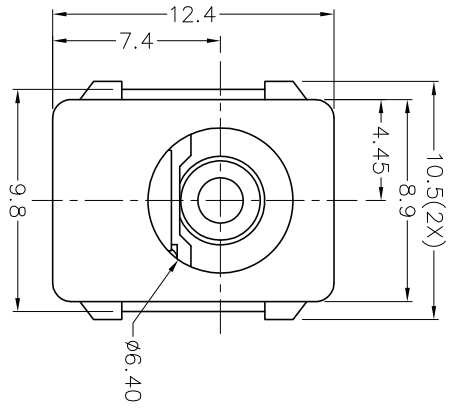
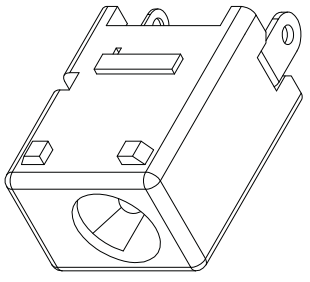


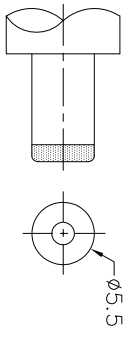
C		B		A	
ZONE	SYMBOL	REVISION	APPROVAL	DATE	

RoHS
Compliant

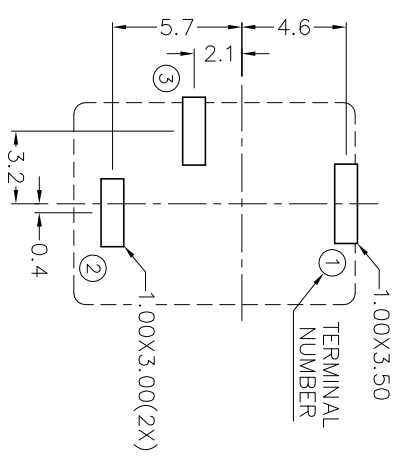
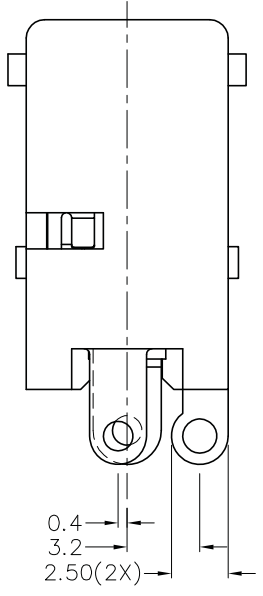


* MATERIAL
 CENTRE PIN : COPPER
 TERMINAL 1 : BRASS
 TERMINAL 2 : COPPER
 TERMINAL 3 : BRASS
 HOUSING : PBT

MODEL NO.	TDC-077
SCHEMATIC	
CENTER PIN	$\phi 2\text{mm}$
	$\phi 2.5\text{mm}$



DC MATE PLUG



PCB LAYOUT
(BOTTOM VIEW)

PART NAME		DC POWER SOCKET		TOLERANCE UNLESS		0.0±0.2		UNIT:		mm		DESIGN		G.P.YI		DATE		25-8-2008		SCALE		3:1	
PART NO.		TDC-077		OTHERWISE SPECIFIED:		0.00±0.1		mm		CHECK		DRAWING		G.P.YI		DATE		25-8-2008		MATERIAL		*	
P		E		D		C		B		A		A		B		C		D		E		F	

JOYNet Enterprise Co., Ltd.
 Technology
 Profession
 Service