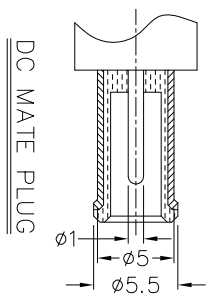
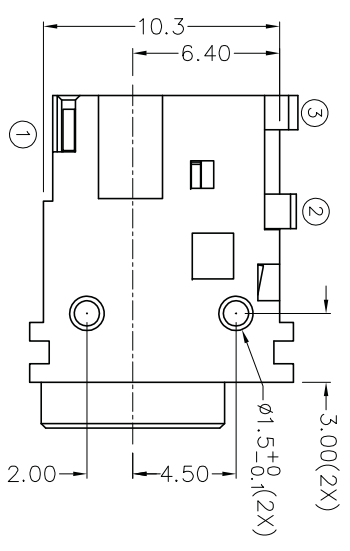
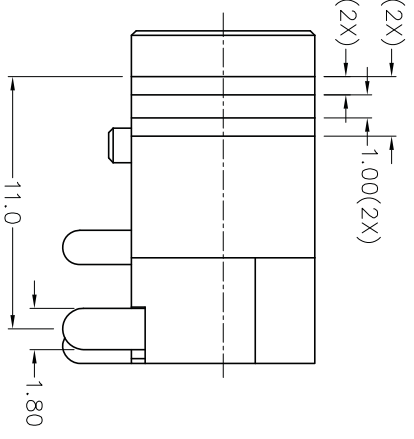
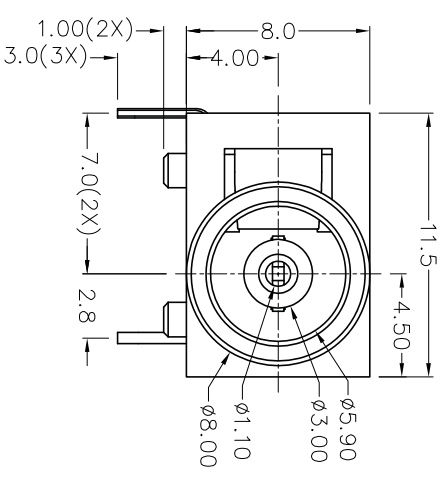
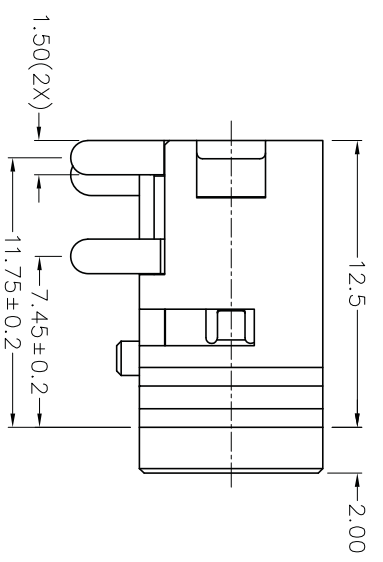
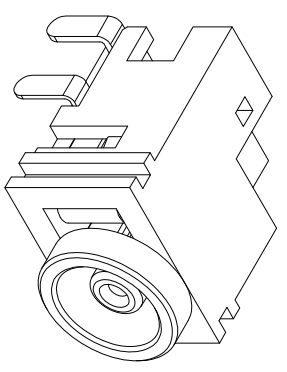


ZONE	SYMBOL	REVISION	APPROVAL	DATE

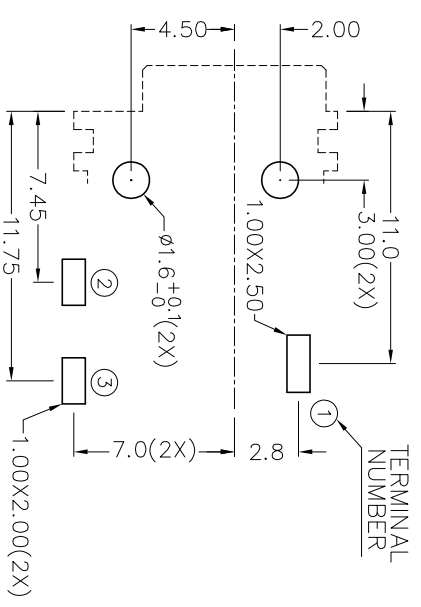
RoHS
Compliant



* MATERIAL

TERMINAL 1 : BRASS
 TERMINAL 2 : COPPER ALLOY
 TERMINAL 3 : BRASS
 HOUSING : PBT

MODEL NO.	TDC-076
SCHEMATIC	



PCB LAYOUT
(BOTTOM VIEW)

		Technology Profession Service	
PART NAME	DC POWER SOCKET	TOLERANCE UNLESS	0.0±0.2
PART NO.	TDC-076	OTHERWISE SPECIFIED:	0.00±0.1 0.000±0.05
UNIT:	mm	CHECK	
APPROVAL		DATE	
DESIGN	X.N.ZHENG	DATE	2-9-2008
DRAWING	X.N.ZHENG	DATE	2-9-2008
CHECK		DATE	
APPROVAL		DATE	
SCALE	3:1	DWG. NO.	TZ\DC076-PBT/A
MATERIAL	*	SHEET	